

6/21/2024 4:03 PM

c:\users\dylanwata\building_drops, inc\building_drops landing - common\projects\de la fontaine\fbc-22-0614-1 - fbc submittal - hollow metal swing door (s-cs)\dwg\outswing flush\dlf004.dwg

DE LA FONTAINE

OUTSWING DOUBLE & SINGLE FLUSH STEEL DOOR (HVHZ)(IMPACT)



4115 BRODEUR STREET
SHERBROOKE, QC J1L1K4
PH: (819) 821-9230 FX: (819) 569-5928

GENERAL NOTES:

- THE PRODUCT SHOWN HEREIN IS DESIGNED AND MANUFACTURED TO COMPLY WITH THE CURRENT EDITION FLORIDA BUILDING CODE (FBC), INCLUDING HVHZ AND HAS BEEN EVALUATED ACCORDING TO THE FOLLOWING:
 - TAS 201-94
 - TAS 202-94
 - TAS 203-94
 - ASTM E283-04(12)
 - ASTM E330-14(21)
- ADEQUACY OF THE EXISTING STRUCTURAL CONCRETE/MASONRY AND 2X FRAMING AS A MAIN WIND FORCE RESISTING SYSTEM CAPABLE OF WITHSTANDING AND TRANSFERRING APPLIED PRODUCT LOADS TO THE FOUNDATION IS THE RESPONSIBILITY OF THE ENGINEER OR ARCHITECT OF RECORD FOR THE PROJECT OF INSTALLATION.
- 1X AND 2X BUCKS (WHEN USED) SHALL BE DESIGNED AND ANCHORED TO PROPERLY TRANSFER ALL LOADS TO THE STRUCTURE. BUCK DESIGN AND ANCHOR LAYOUT IS THE RESPONSIBILITY OF THE ENGINEER OR ARCHITECT OF RECORD FOR THE PROJECT OF INSTALLATION.
- THE INSTALLATION DETAILS DESCRIBED HEREIN ARE GENERIC AND MAY NOT REFLECT ACTUAL CONDITIONS FOR A SPECIFIC SITE. IF SITE CONDITIONS CAUSE INSTALLATION TO DEVIATE FROM THE REQUIREMENTS DETAILED HEREIN, A LICENSED ENGINEER OR ARCHITECT SHALL PREPARE SITE SPECIFIC DOCUMENTS FOR USE WITH THIS DOCUMENT.
- THIS PRODUCT IS LARGE AND SMALL MISSILE IMPACT RESISTANT APPROVED IMPACT PROTECTIVE SYSTEM IS **NOT REQUIRED** ON THIS PRODUCT IN AREAS REQUIRING IMPACT RESISTANCE.

CONSTRUCTION NOTES:

- DOOR CONSTRUCTION:
 - PANEL MATERIAL: 18 GA. A40/A60/G90 GALV. STEEL MIN. (0.042" MIN.)
 - OVERALL PANEL THICKNESS: MIN. 1 3/4 INCH TO MAX. 2 1/4 INCH
 - DOOR CORES:
 - HONEYCOMB
 - POLYSTYRENE
 - POLYURETHANE
 - STEEL STIFFENED (POLYSTYRENE OR POLYURETHANE)
 - EDGE SEAMS:
 - STANDARD LOCK WELDED AT THE TOP AND BOTTOM.
 - STANDARD LOCK WITH EPOXY FILLED AND GRINDED SMOOTH SEAM
 - CONTINUOUS WELD LOCK SEAM
 - TWO (2) TOP AND ONE (1) BOTTOM CHANNELS ARE 16 GA. STEEL AND ARE SPOT WELDED TO EACH FACE SHEET 3" O.C.
 - HINGES:
 - HAGER BB1191
 - HAGER BB1168
 - HAGER BB1199
 - HAGER BB1279
 - HAGER 780-112 ROTON
 - HINGE REINFORCEMENTS ARE LOCATED AT EACH HINGE LOCATION.
 - LOCK REINFORCEMENTS ARE USED WHEN APPLICABLE.
- FRAME CONSTRUCTION:
 - FRAME MATERIAL: 16 GA. A40/A60/G90 GALV. STEEL MIN. (0.054" MIN.)
 - FRAME DEPTH: 5.75" MIN. (DOUBLE RETURNS QUALIFIED)
 - CORNER CONSTRUCTION:
 - KNOCK-DOWN
 - FACE WELD
 - FULL WELD
 - HINGE REINFORCEMENT IS LOCATED AT EACH HINGE LOCATION.
 - LOCK STRIKE REINFORCEMENTS ARE USED WHEN APPLICABLE.

TABLE OF CONTENTS	
SHEET	SHEET DESCRIPTION
1	GENERAL & CONSTRUCTION NOTES
2	PANEL CONFIGURATIONS
3	ELEVATIONS
4	ANCHOR LAYOUTS & NOTES
5	VERTICAL SECTIONS
6	HORIZONTAL SECTIONS
7	HORIZONTAL SECTIONS
8	INSTALLATION DETAILS - COMBINATION AND Z ANCHORS
9	INSTALLATION DETAILS - EWA ANCHORS
10	INSTALLATION DETAILS - WIRE/T MASONRY & JAMB BASE ANCHORS
11	INSTALLATION DETAILS & NOTES
12	GASKETING DETAILS FOR WATER INFILTRATION
13	GASKETING DETAILS FOR AIR INFILTRATION
14	THRESHOLD DETAIL & ANCHOR LAYOUT
15	CORNER CONSTRUCTION
16	REINFORCEMENTS
17	REINFORCEMENTS
18	BILL OF MATERIAL

TITLE: OUTSWING DOUBLE & SINGLE FLUSH STEEL DOOR (HVHZ) (IMPACT)
GENERAL & CONSTRUCTION NOTES

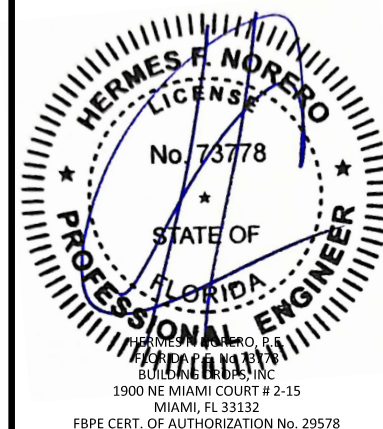
PREPARED BY: BUILDING DROPS, INC.
1900 NE MIAMI COURT, STE. 2-15
MIAMI, FL 33132
PH: (954)399-8478
FAX: (954)744-4738
WEB: www.buildingdrops.com

REMARKS	BY	DATE

THE INSTALLATION DETAILS DESCRIBED HEREIN ARE GENERIC AND MAY NOT REFLECT ACTUAL CONDITIONS FOR A SPECIFIC SITE. IF SITE CONDITIONS CAUSE INSTALLATION TO DEVIATE FROM THE REQUIREMENTS DETAILED HEREIN, A LICENSED ENGINEER OR ARCHITECT SHALL PREPARE SITE SPECIFIC DOCUMENTS FOR USE WITH THIS DOCUMENT.

FLORIDA BUILDING CODE DESIGN PRESSURES					
CONFIGURATION	LATCHING HARDWARE TYPE	LATCHING HARDWARE SERIES	*WHERE WATER INFILTRATION IS NOT REQUIRED OR IS PROTECTED BY OVERHANG	WHERE WATER INFILTRATION REQUIREMENT IS NEEDED OR IS NOT PROTECTED BY OVERHANG	MISSILE IMPACT RATING
SINGLE	CYLINDRICAL LOCKSET	SCHLAGE D/ND	+/- 50 PSF	+/- 50 PSF	LARGE AND SMALL MISSILE IMPACT RATED
		SARGENT 11	+/- 70 PSF		
		CAL-ROYAL GENESIS	+/- 70 PSF		
	MORTISE LOCKSET WITH DEADBOLT	SCHLAGE L9000	+/- 70 PSF		
		SARGENT 8200	+/- 70 PSF		
	RIM EXIT DEVICE	VON DUPRIN 98/99	+/- 50 PSF		
		CORBIN RUSSWIN ED5200S X M107	+/- 70 PSF		
	SURFACE VERTICAL RODS	VON DUPRIN WS9827/WS9927	+/- 70 PSF		
CORBIN RUSSWIN ED5470		+/- 50 PSF			
DOUBLE	CYLINDRICAL LOCKSET	SCHLAGE D/ND	+/- 50 PSF	NOT APPROVED	LARGE AND SMALL MISSILE IMPACT RATED
		SARGENT 11	+/- 70 PSF		
		CAL-ROYAL GENESIS	+/- 70 PSF		
	MORTISE LOCKSET WITH DEADBOLT	SCHLAGE L9000	+/- 70 PSF		
		SARGENT 8200	+/- 70 PSF		
	SURFACE BOLTS	IVES 360	+/- 70 PSF		
		SARGENT 998	+/- 70 PSF		
	RIM EXIT DEVICE	VON DUPRIN 98/99 WITH HH9954 MULLION	+/- 50 PSF		
		CORBIN RUSSWIN ED5200S X M107 WITH FE707A MULLION	+/- 70 PSF		
	SURFACE VERTICAL RODS	VON DUPRIN WS9827/WS9927	+/- 70 PSF		
CORBIN RUSSWIN ED5470		+/- 50 PSF			

*NOTE: UNIT SHALL BE INSTALLED IN NON-HABITABLE LOCATIONS OR AT LOCATION PROTECTED BY OVERHANG SUCH THAT OVERHANG RATIO (OH) = OH LENGTH /OH HEIGHT GREATER THAN 1.



FL46851

DATE: 06.18.24

DWG. BY: DI
CHK. BY: HFN

SCALE: NTS

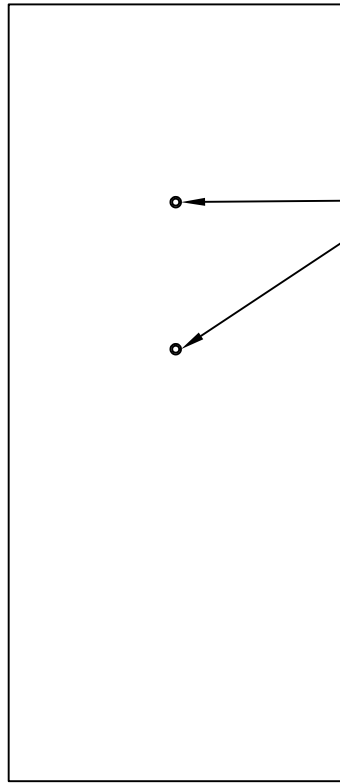
DWG. #: DLF004

SHEET:

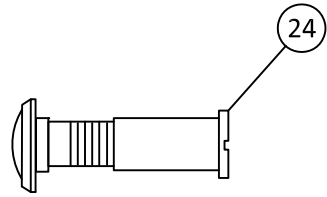
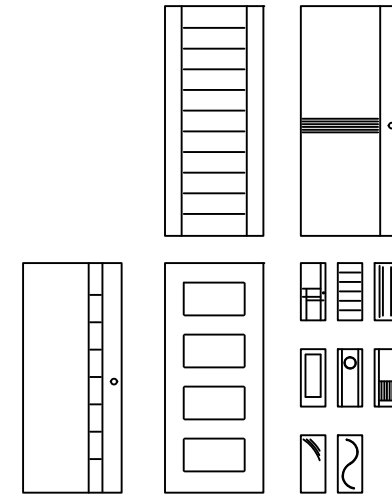
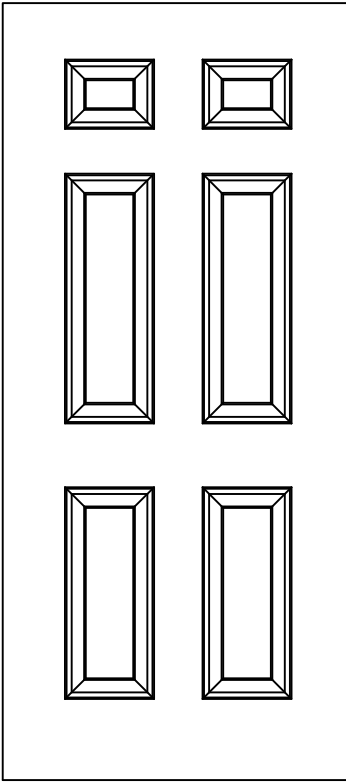
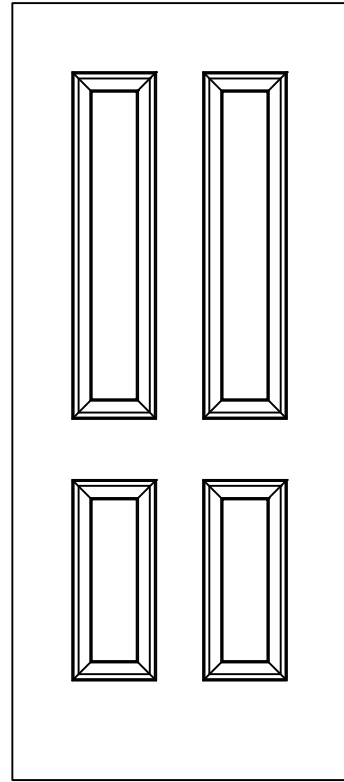
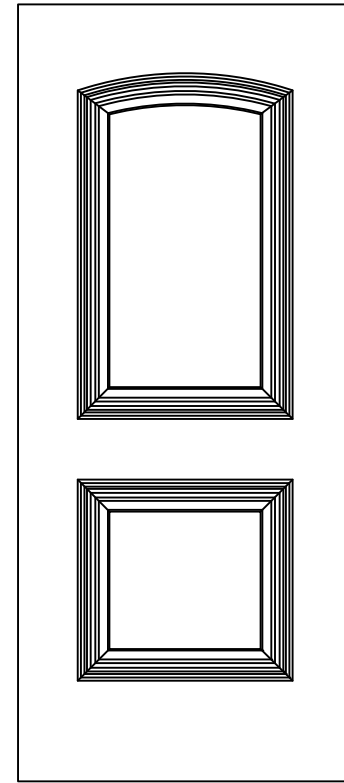
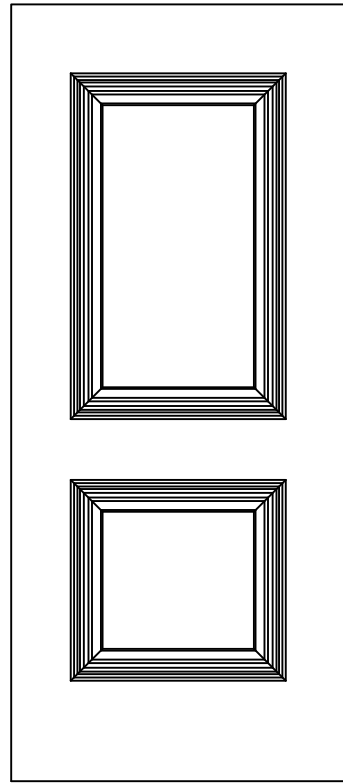
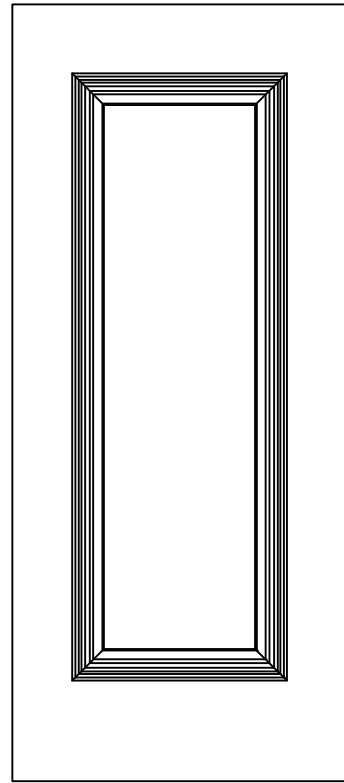
1

OF 18

c:\users\dylanwata\building_drops, inc\building_drops, inc\projects\de la fontaine\fbc-22-0614.1 - fbc submittal - hollow metal swing door is-cs\dwg\outswing flush\dlf004.dwg 6/21/2024 4:03 PM



OPTIONAL VIEWERS
SEE DETAIL XX
MAX. 2 PER DOOR
MAX. 70 PSF



DETAIL XX
IVES 698/U698 DOOR VIEWER

**AVAILABLE DOOR PANEL
CONFIGURATIONS**

**NOTE: CUSTOM EMBOSING AVAILABLE.
CONTACT MANUFACTURER FOR MORE INFORMATION.**



4115 BRODEUR STREET
SHERBROOKE, QC J1L1K4
PH: (819) 821-9230 FX: (819) 569-5928

TITLE: OUTSWING DOUBLE & SINGLE
FLUSH STEEL DOOR
(HVHZ) (IMPACT)
PANEL CONFIGURATIONS

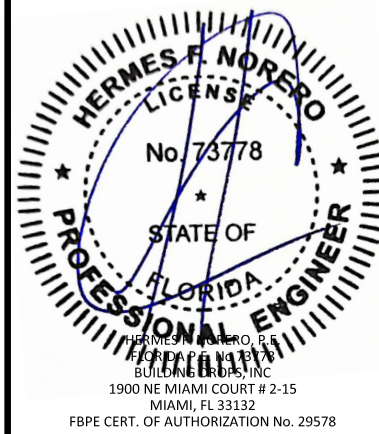
PREPARED BY: BUILDING DROPS, INC.

1900 NE MIAMI COURT, STE. 2-15
MIAMI, FL 33132
PH: (954)399-8478
FAX: (954)744-4738
WEB: www.buildingdrops.com



REMARKS	BY	DATE

THE INSTALLATION DETAILS DESCRIBED HEREIN ARE GENERIC AND MAY NOT REFLECT ACTUAL CONDITIONS FOR A SPECIFIC SITE. IF SITE CONDITIONS CAUSE INSTALLATION TO DEVIATE FROM THE REQUIREMENTS DETAILED HEREIN, A LICENSED ENGINEER OR ARCHITECT SHALL PREPARE SITE SPECIFIC DOCUMENTS FOR USE WITH THIS DOCUMENT.



FL46851

DATE: **06.18.24**

DWG. BY: **DI** CHK. BY: **HFN**

SCALE: **NTS**

DWG. #: **DLF004**

SHEET:
2
OF 18

c:\users\dylanwata\building_drops, inc\building_projects\de la fontaine\bc-22-0614.1 - fbc submittal - hollow metal swing door (s-cs)\dwg\outsourcing_flush\dlf004.dwg 6/21/2024 4:03 PM

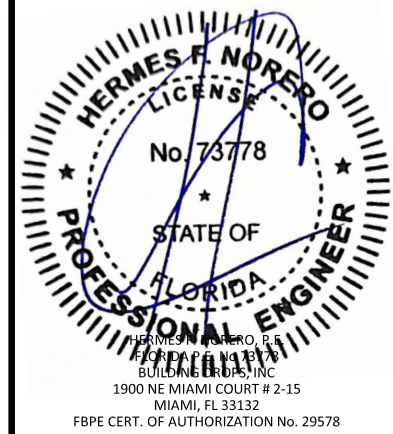
TITLE: OUTSWING DOUBLE & SINGLE
FLUSH STEEL DOOR
(HVHZ) (IMPACT)
ELEVATIONS

PREPARED BY:
BUILDING DROPS, INC.
1900 NE MIAMI COURT, STE. 2-15
MIAMI, FL 33132
PH: (954) 359-8478
FAX: (954) 744-4738
WEB: www.buildingdrops.com



REMARKS	BY	DATE

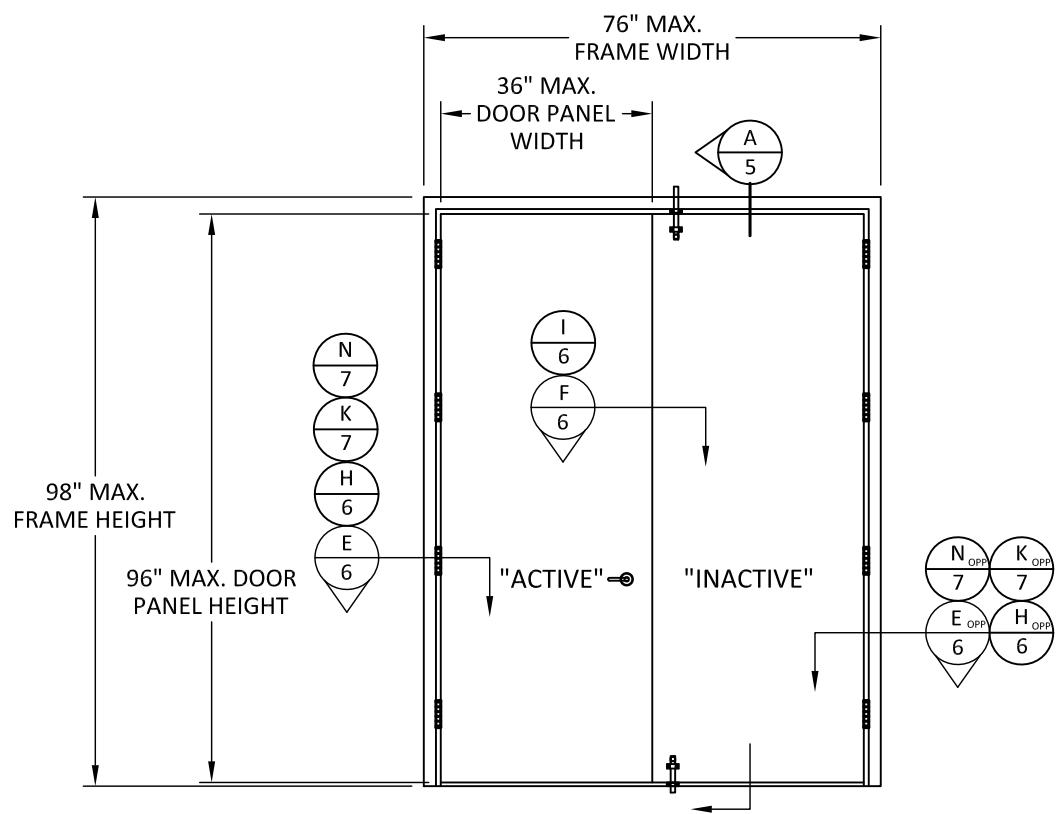
THE INSTALLATION DETAILS DESCRIBED HEREIN ARE GENERIC AND MAY NOT REFLECT ACTUAL CONDITIONS FOR A SPECIFIC SITE. IF SITE CONDITIONS CAUSE INSTALLATION TO DEVIATE FROM THE REQUIREMENTS DETAILED HEREIN, A LICENSED ENGINEER OR ARCHITECT SHALL PREPARE SITE SPECIFIC DOCUMENTS FOR USE WITH THIS DOCUMENT.



FL46851

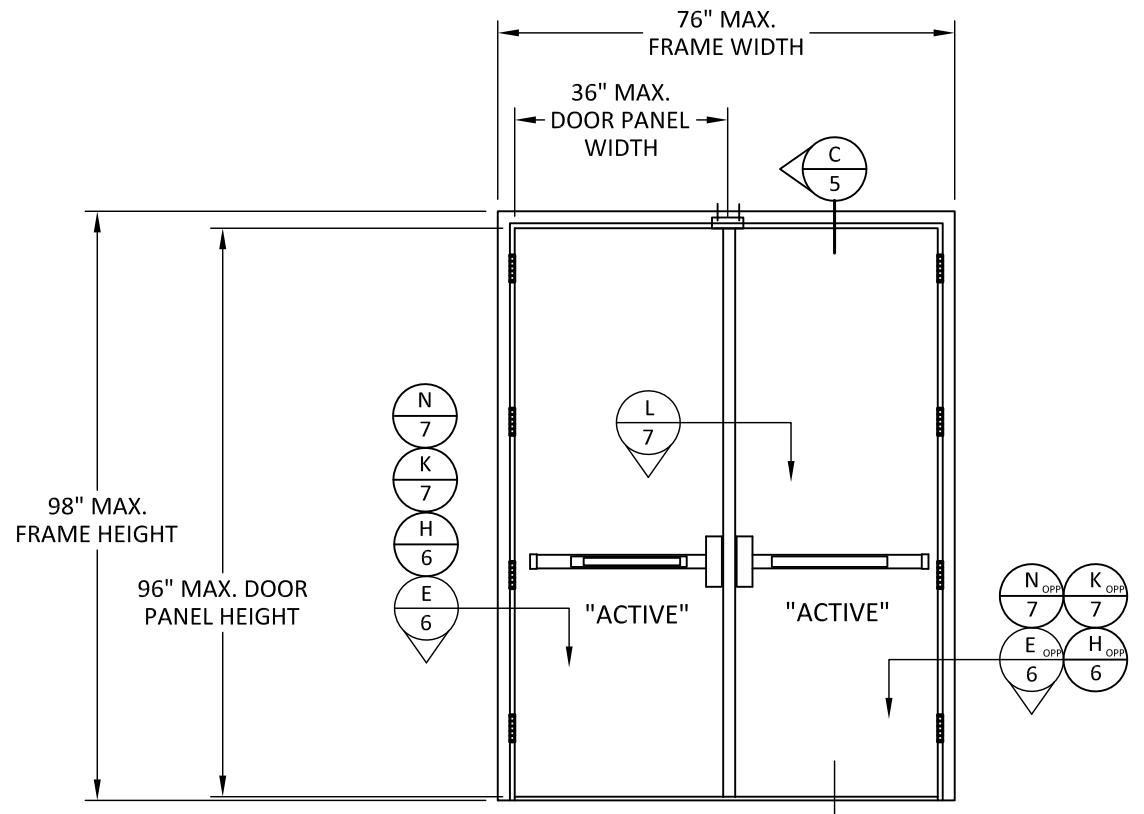
DATE:	06.18.24
DWG. BY:	DI
CHK. BY:	HFN
SCALE:	NTS
DWG. #:	DLF004

SHEET:
3
OF 18

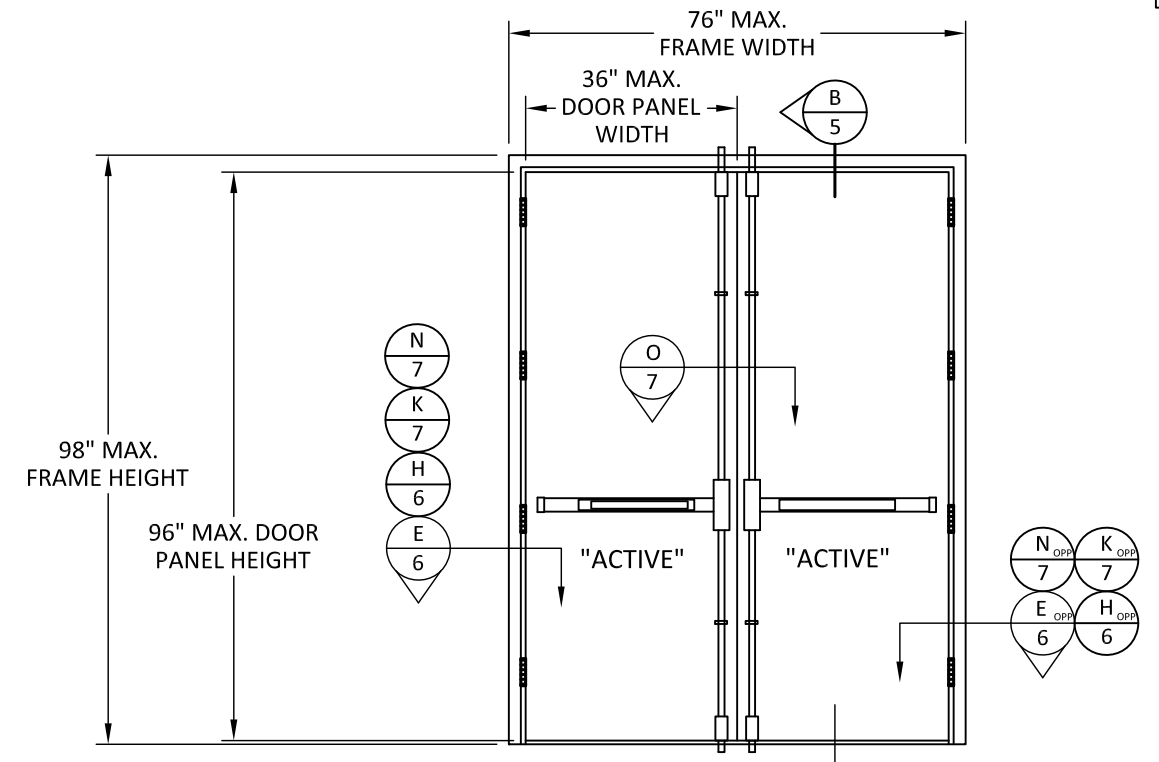


ELEVATION A
CYLINDRICAL LOCK (AS SHOWN) OR MORTISE LOCKSET
WITH DEAD BOLT (NOT SHOWN) ON ACTIVE PANEL,
SURFACE BOLTS ON INACTIVE

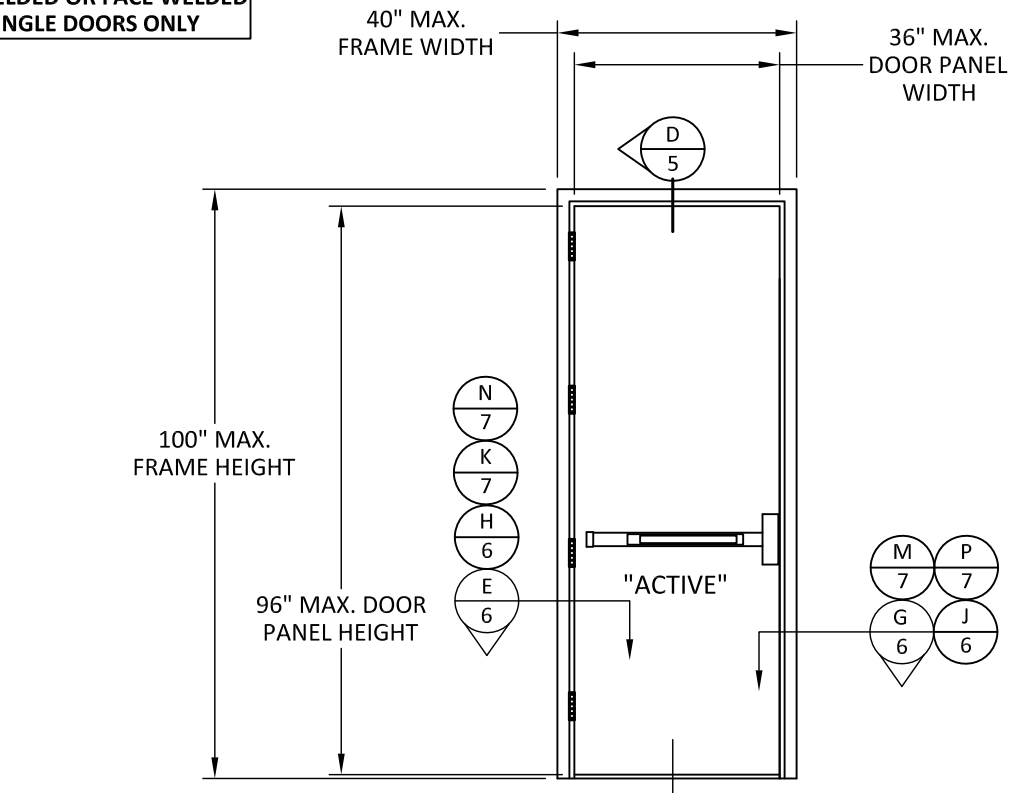
NOTE: MAXIMUM FRAME HEIGHT TO BE 100" WHEN OPTIONAL 4" HEADER FRAME IS USED. FOR USE WITH FULLY WELDED OR FACE WELDED CORNERS ON SINGLE DOORS ONLY



ELEVATION B
RIM EXIT DEVICES WITH
REMOVABLE MULLION



ELEVATION C
EXIT DEVICES WITH SURFACE VERTICAL RODS



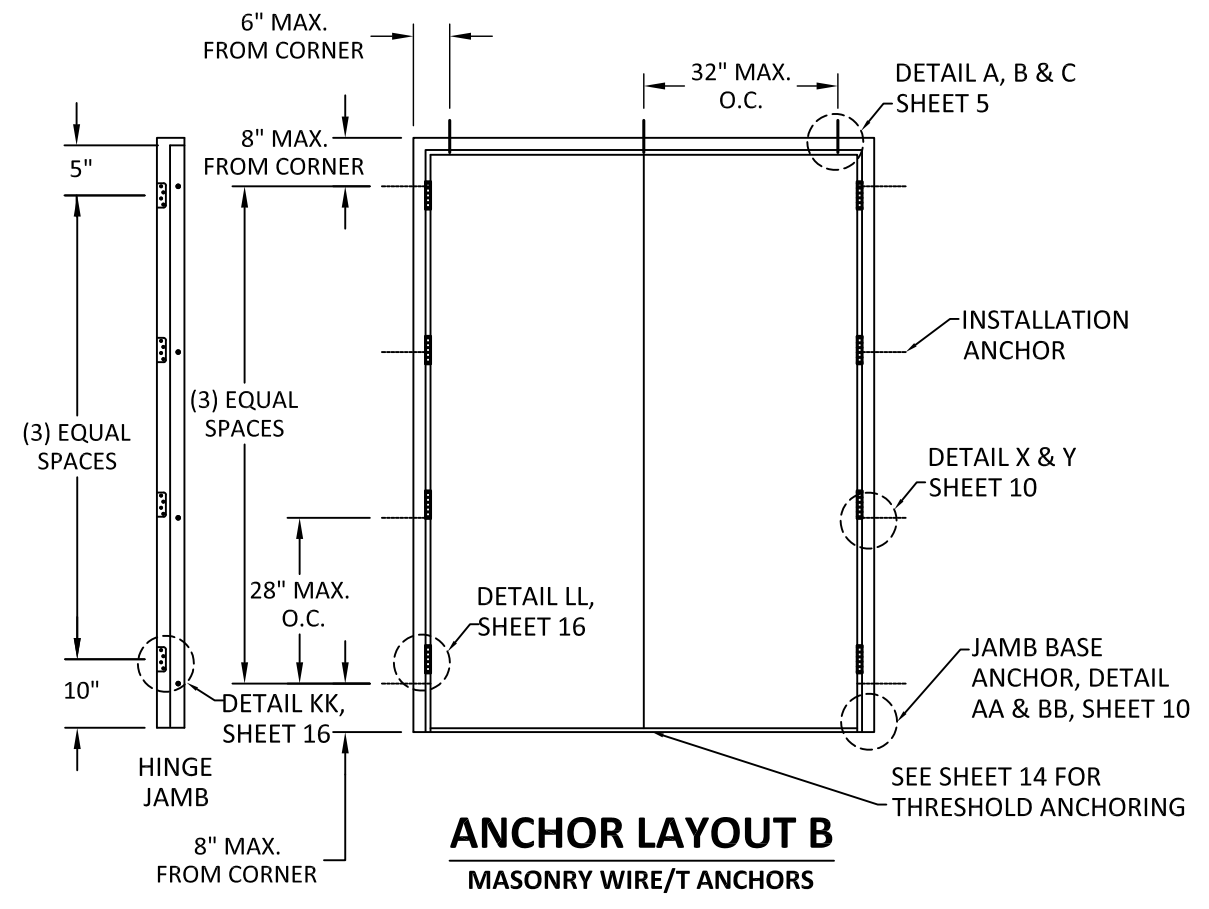
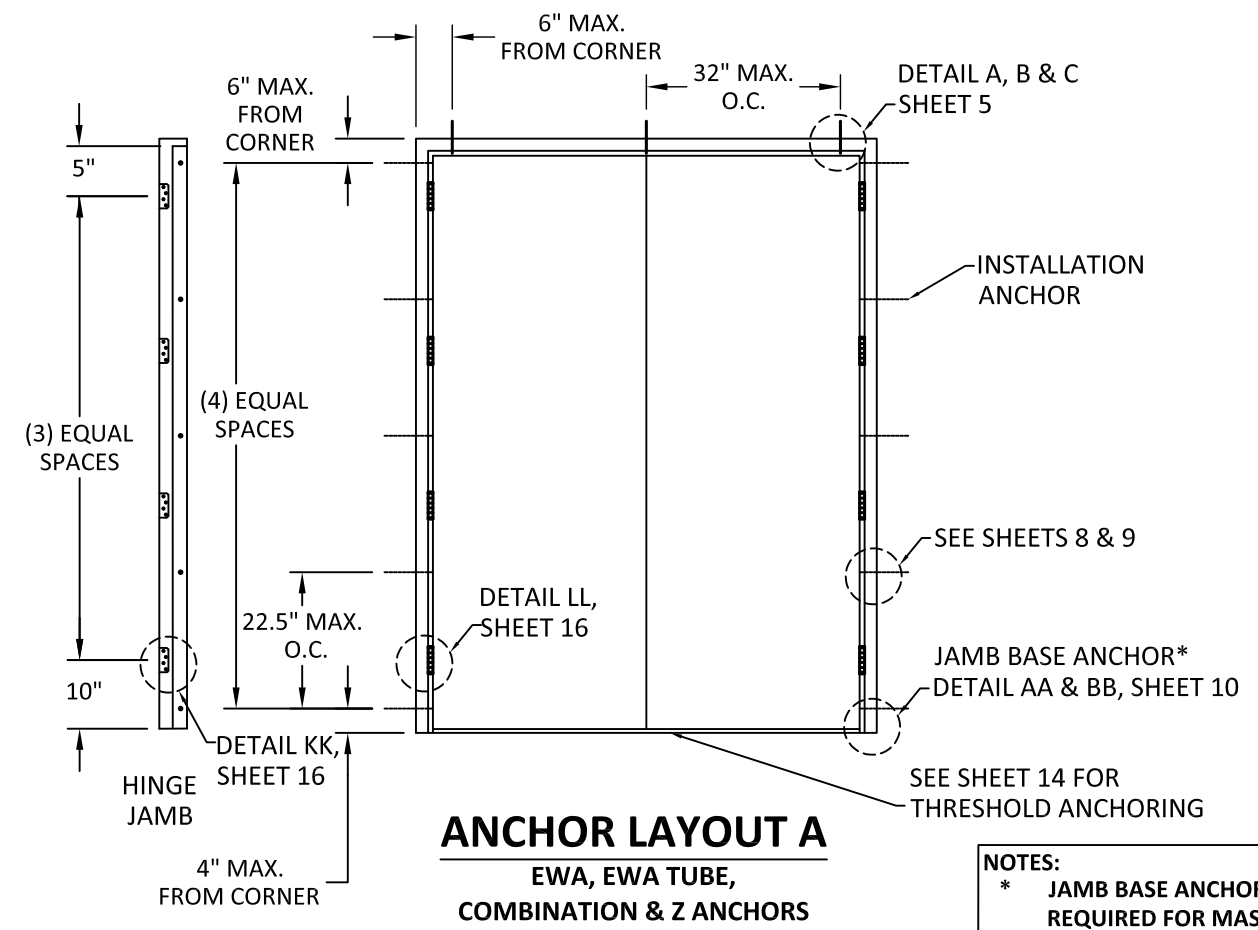
NOTE: ALTERNATE QUALIFIED SINGLE DOOR HARDWARE OPTIONS INCLUDE CYLINDRICAL LOCK, MORTISE LOCKSETS WITH DEADBOLT OR SURFACE VERTICAL RODS.

ELEVATION D
RIM EXIT DEVICE

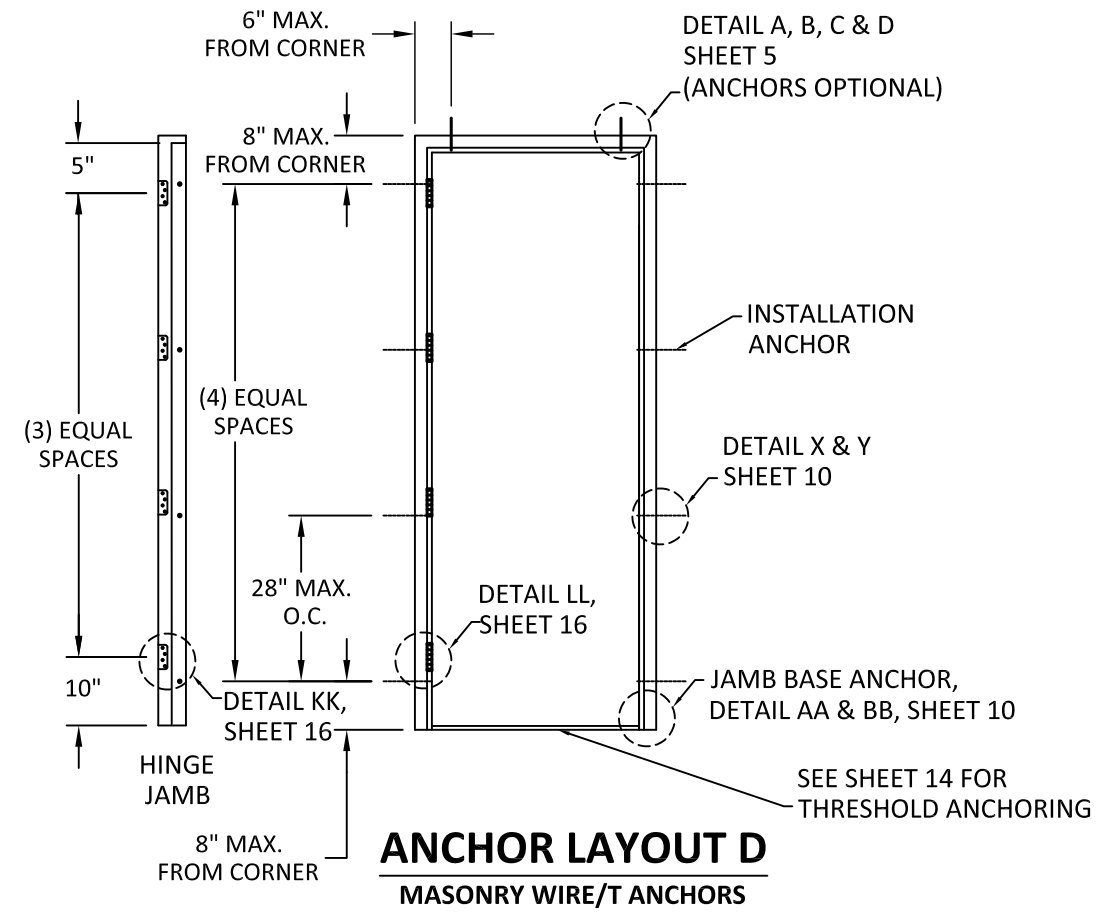
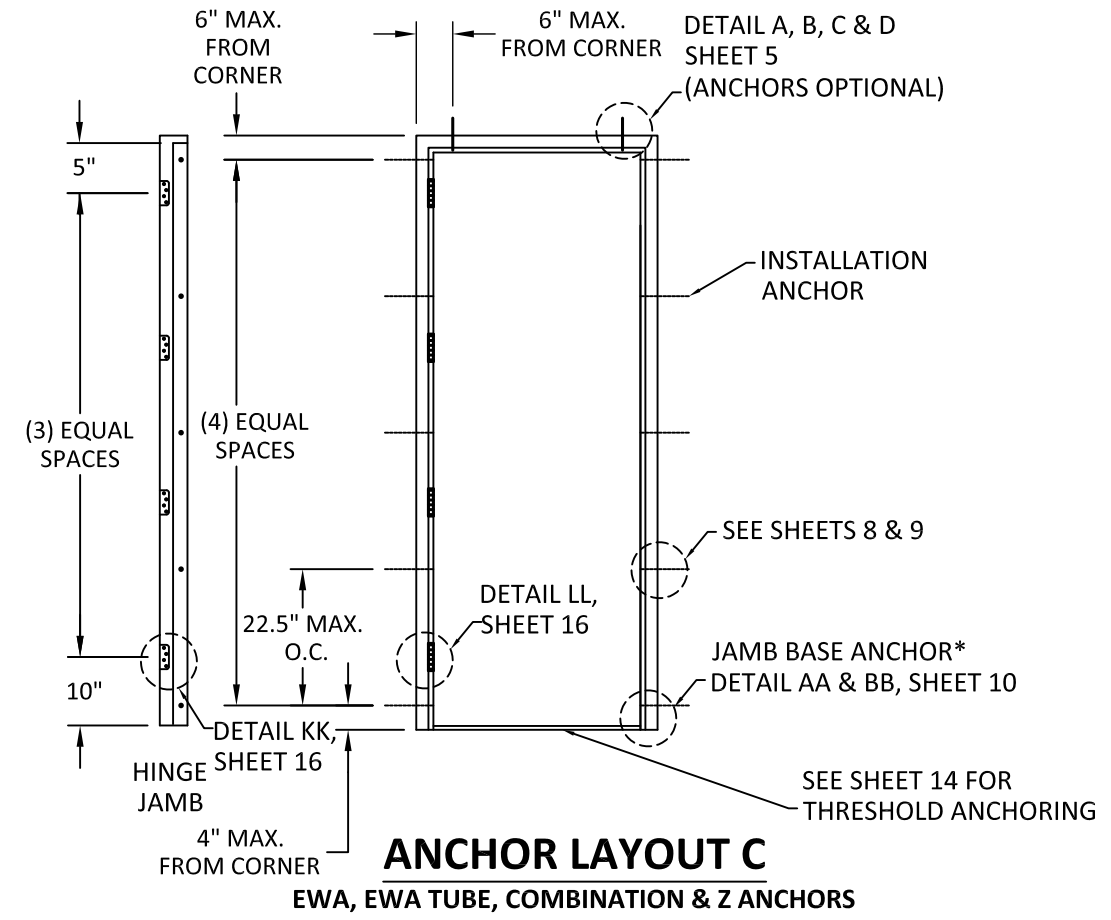
6/21/2024 4:03 PM
c:\users\dylanwata\building_drops, inc\building_drops landing - common\projects\de la fontaine\bc-22-0614.1 - fbc submittal - hollow metal swing door is-cs\dwg\outsourcing\flush\dlf004.dwg

TITLE: OUTSWING DOUBLE & SINGLE FLUSH STEEL DOOR (HVHZ) (IMPACT)
ANCHOR LAYOUTS AND NOTES

PREPARED BY: BUILDING DROPS, INC.
1900 NE MIAMI COURT, STE. 2-15
MIAMI, FL 33132
PH: (954) 359-8478
FAX: (954) 744-4738
WEB: www.buildingdrops.com

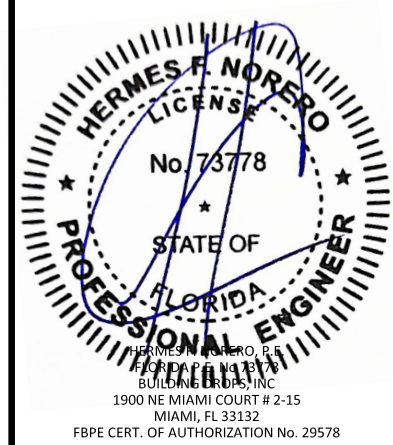


NOTES:
* JAMB BASE ANCHOR IS ONLY REQUIRED FOR MASONRY WIRE/T, COMBINATION & Z ANCHORS. NOT REQUIRED FOR EWA ANCHORS



REMARKS	BY	DATE

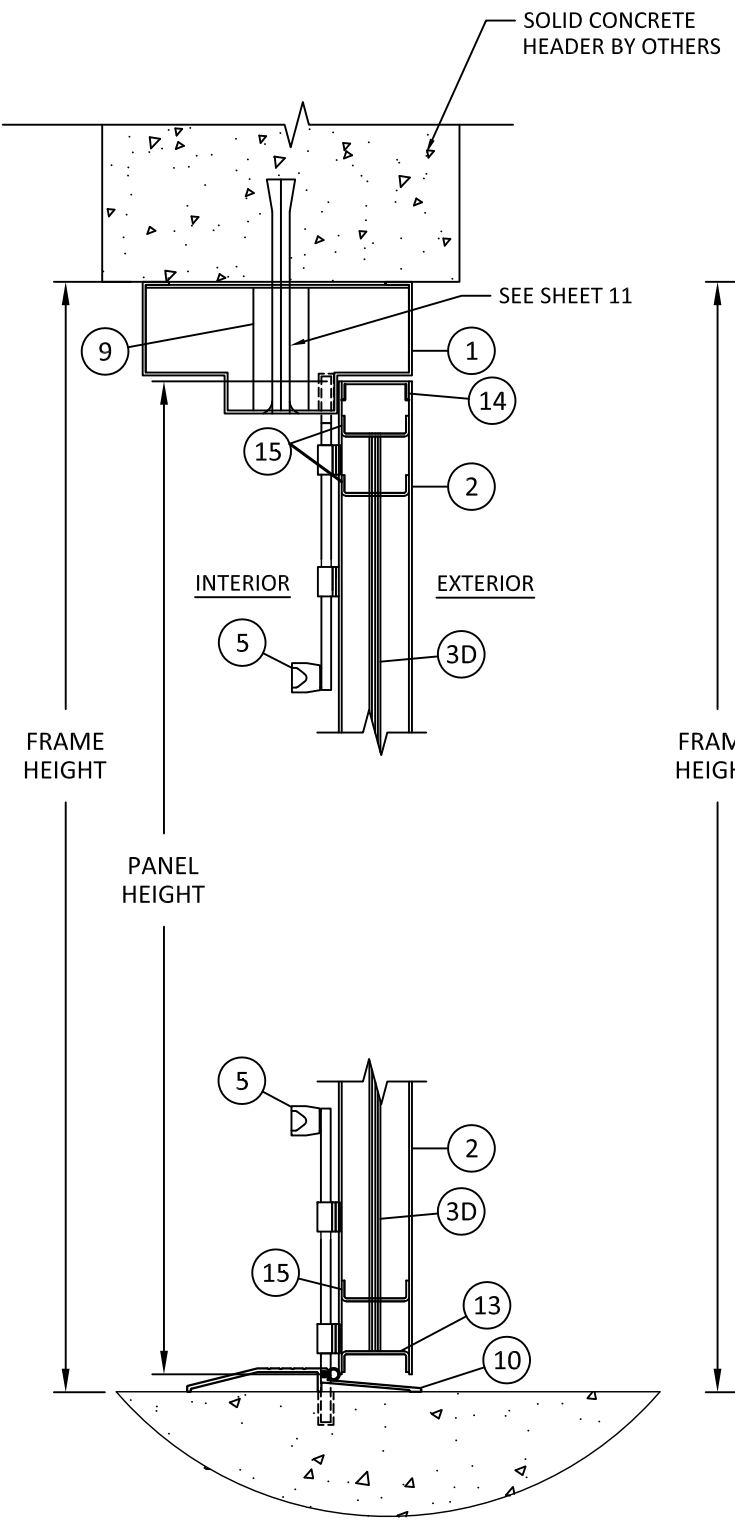
THE INSTALLATION DETAILS DESCRIBED HEREIN ARE GENERIC AND MAY NOT REFLECT ACTUAL CONDITIONS FOR A SPECIFIC SITE. IF SITE CONDITIONS CAUSE INSTALLATION TO DEVIATE FROM THE REQUIREMENTS DETAILED HEREIN, A LICENSED ENGINEER OR ARCHITECT SHALL PREPARE SITE SPECIFIC DOCUMENTS FOR USE WITH THIS DOCUMENT.



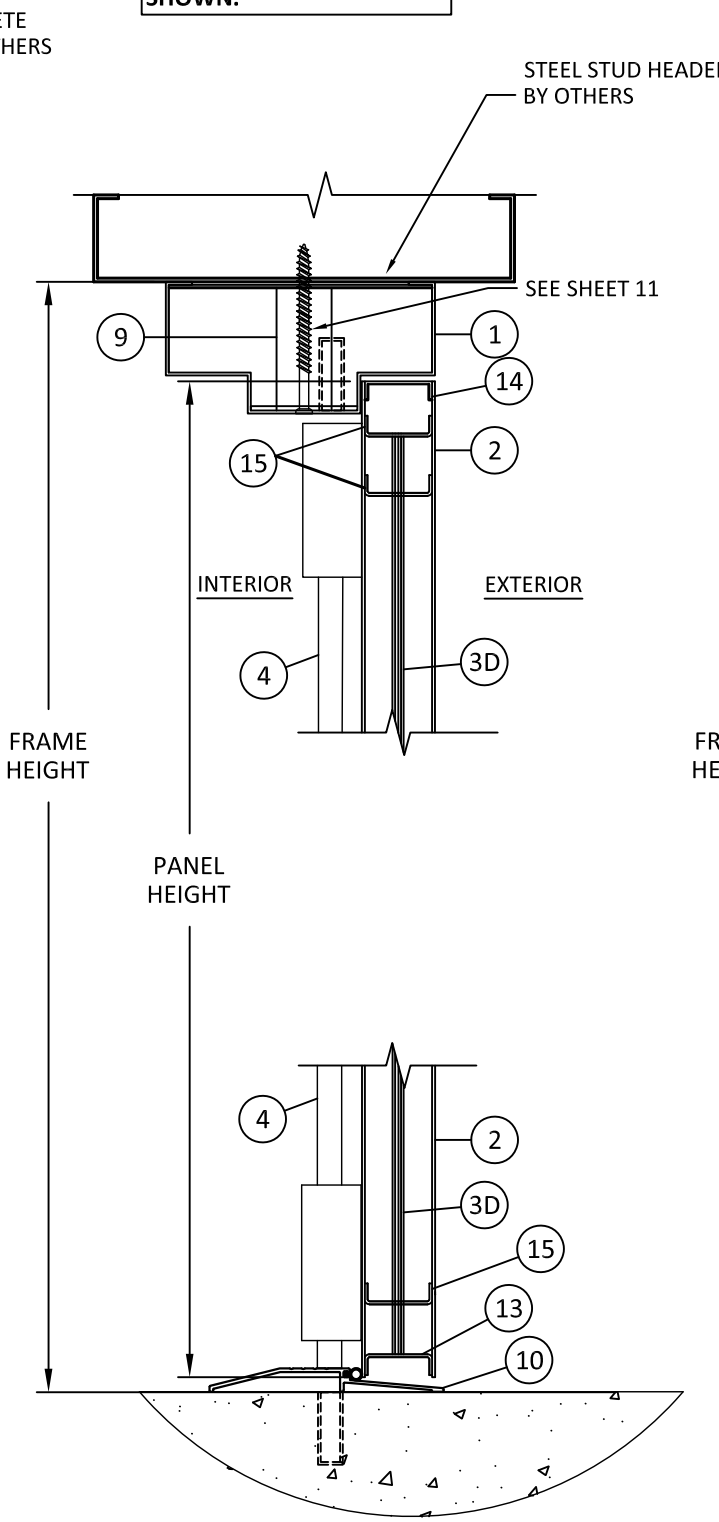
FL46851	
DATE: 06.18.24	
DWG. BY: DI	CHK. BY: HFN
SCALE: NTS	
DWG. #: DLF004	
SHEET:	

6/21/2024 4:03 PM
c:\users\dyanwata\building_drops, inc\building_projects\de la fontaine\fbc-22-0614.1 - fbc submittal - hollow metal swing door is-cs\dwg\outsourcing_flush\dlf004.dwg

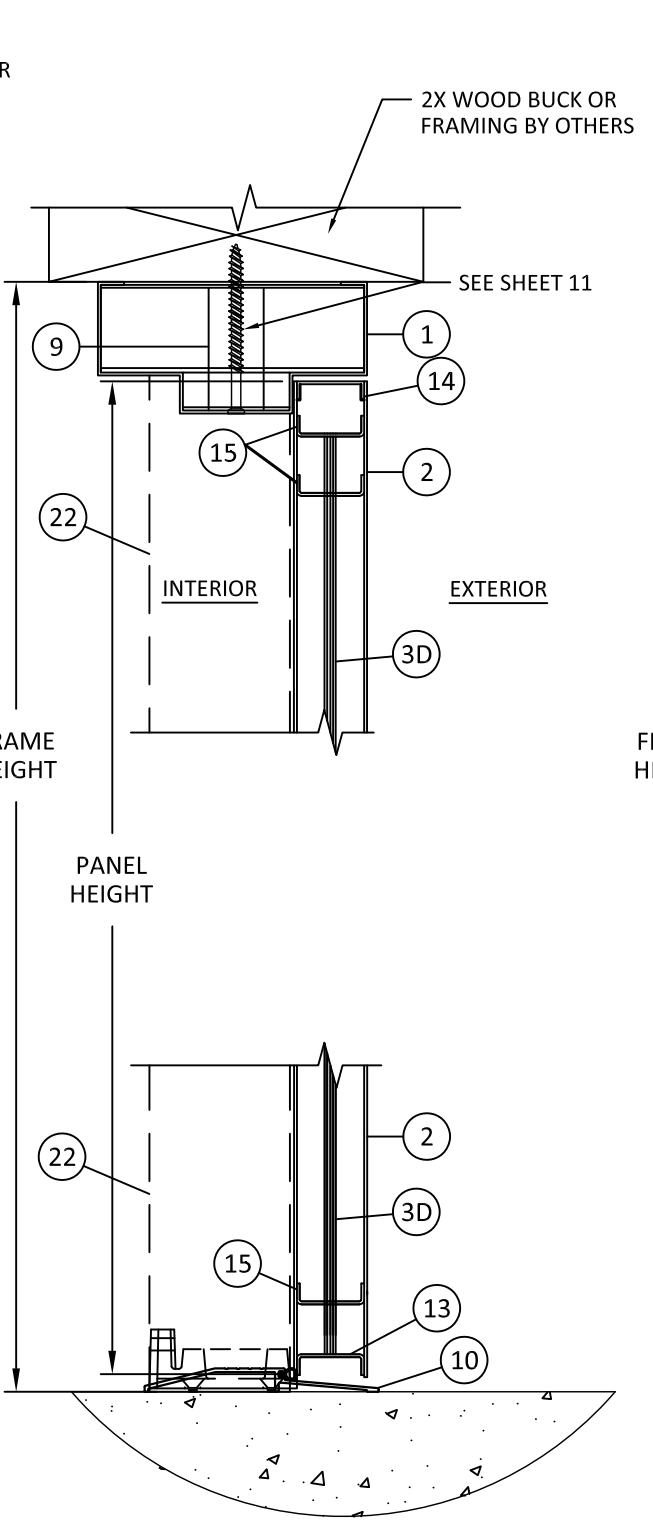
**NOTE: EWA TUBE SHOWN.
EWA IS QUALIFIED FOR ALL
INSTALLATION SUBSTRATES
SHOWN.**



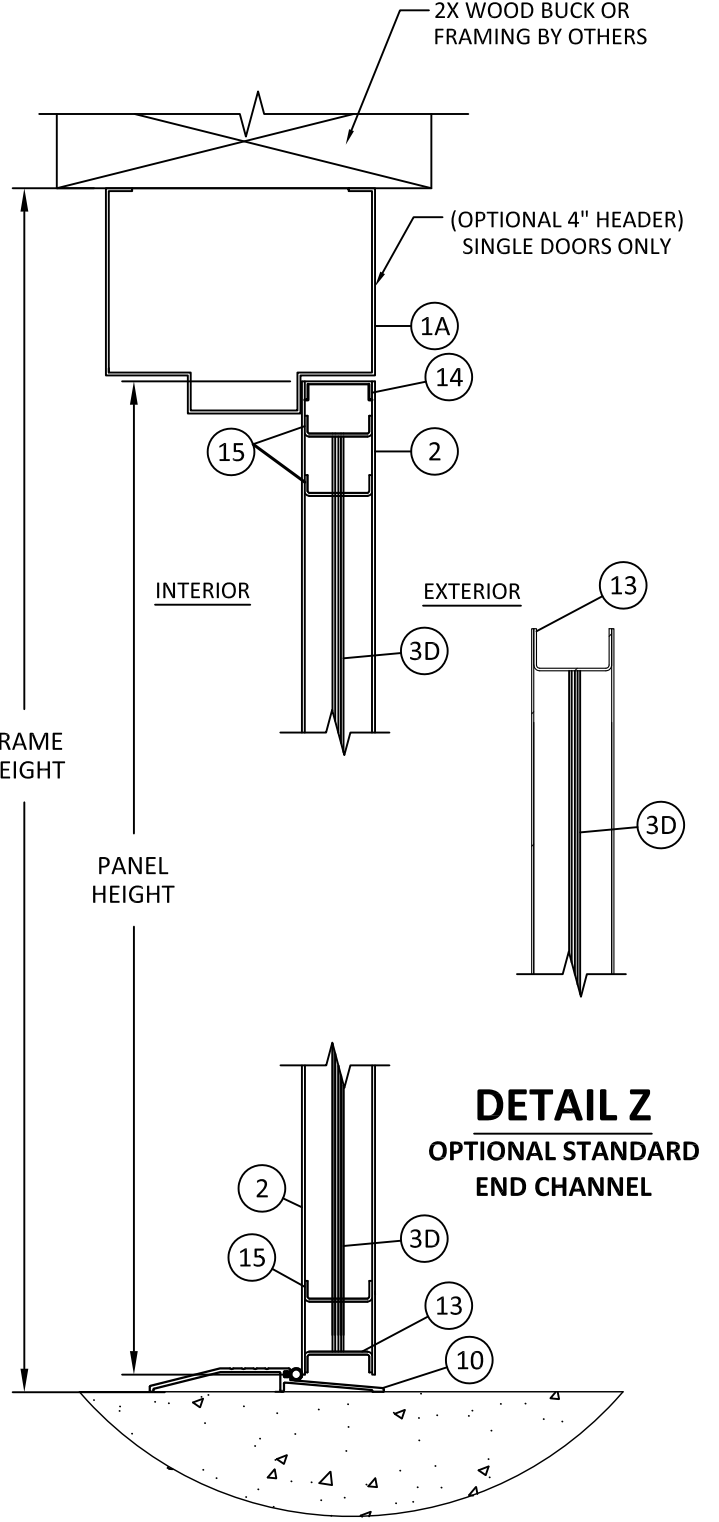
A
5
VERTICAL SECTION
HEAD/SILL - CONCRETE/MASONRY
(MORTISE LOCK/
CYLINDRICAL LOCK WITH SURFACE BOLTS)



B
5
VERTICAL SECTION
HEAD - STEEL STUD
SILL - CONCRETE/MASONRY
(SURFACE VERTICAL ROD)



C
5
VERTICAL SECTION
HEAD - 2X WOOD FRAME
SILL - CONCRETE
(REMOVABLE MULLION)



D
5
VERTICAL SECTION
HEAD - 2X WOOD FRAME
SILL - CONCRETE



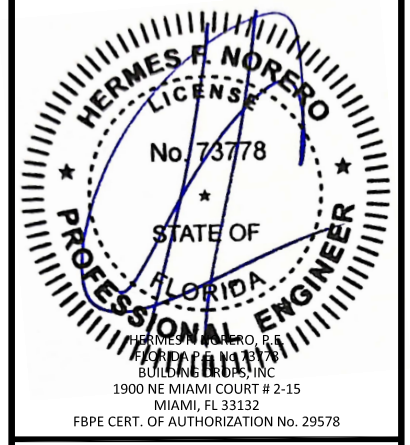
4115 BRODEUR STREET
SHERBROOKE, QC J1L1K4
PH: (819) 821-9230 FX: (819) 569-5928

TITLE: OUTSWING DOUBLE & SINGLE
FLUSH STEEL DOOR
(HVHZ) (IMPACT)
VERTICAL SECTIONS

PREPARED BY:
BUILDING DROPS, INC.
1900 NE MIAMI COURT, STE. 2-15
MIAMI, FL 33132
PH: (954) 359-8478
FAX: (954) 744-4738
WEB: www.buildingdrops.com

REMARKS	BY	DATE

THE INSTALLATION DETAILS DESCRIBED HEREIN ARE GENERIC AND MAY NOT REFLECT ACTUAL CONDITIONS FOR A SPECIFIC SITE. IF SITE CONDITIONS CAUSE INSTALLATION TO DEVIATE FROM THE REQUIREMENTS DETAILED HEREIN, A LICENSED ENGINEER OR ARCHITECT SHALL PREPARE SITE SPECIFIC DOCUMENTS FOR USE WITH THIS DOCUMENT.



FL46851

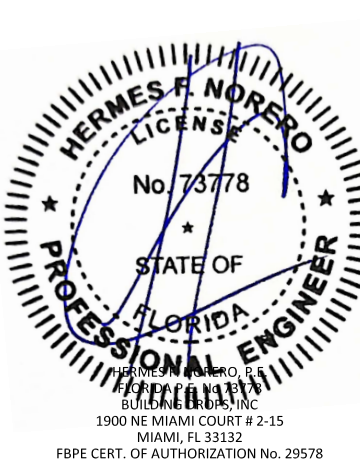
DATE: 06.18.24
DWG. BY: DI
CHK. BY: HFN
SCALE: NTS
DWG. #: DLF004
SHEET:

6/21/2024 4:03 PM
c:\users\dylanwata\building_drops, inc\building_drops, inc\projects\de la fontaine\fbc-22-0614.1 - fbc submittal - hollow metal swing door (s-cs)\dwg\outsourcing_flush\dlf004.dwg

TITLE: OUTSWING DOUBLE & SINGLE FLUSH STEEL DOOR (HVHZ) (IMPACT)
HORIZONTAL SECTIONS
PREPARED BY: BUILDING DROPS, INC.
1900 NE MIAMI COURT, STE. 2-15
MIAMI, FL 33132
PH: (954) 359-8478
FAX: (954) 744-4738
WEB: www.buildingdrops.com

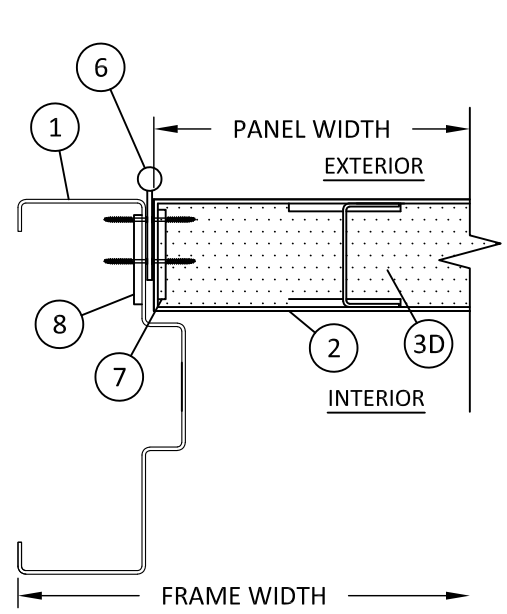
REMARKS	BY	DATE

THE INSTALLATION DETAILS DESCRIBED HEREIN ARE GENERIC AND MAY NOT REFLECT ACTUAL CONDITIONS FOR A SPECIFIC SITE. IF SITE CONDITIONS CAUSE INSTALLATION TO DEVIATE FROM THE REQUIREMENTS DETAILED HEREIN, A LICENSED ENGINEER OR ARCHITECT SHALL PREPARE SITE SPECIFIC DOCUMENTS FOR USE WITH THIS DOCUMENT.



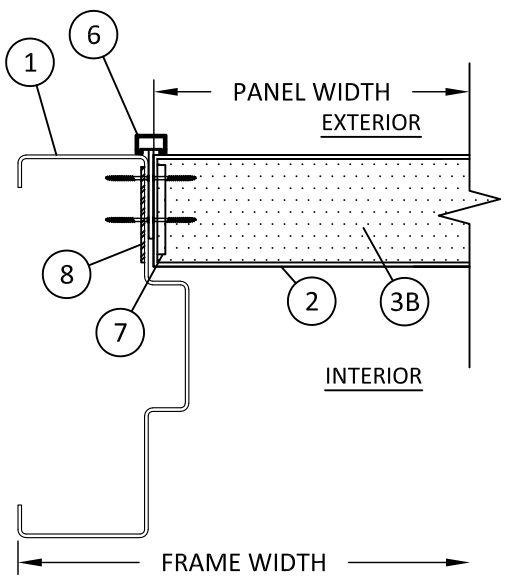
FL46851

DATE: 06.18.24
DWG. BY: DI
CHK. BY: HFN
SCALE: NTS
DWG. #: DLF004
SHEET:

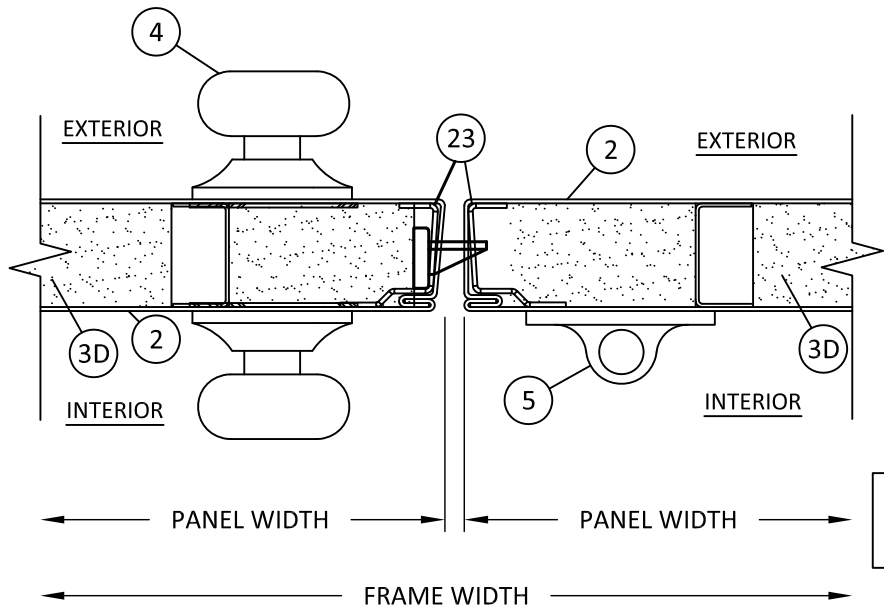


E6 HORIZONTAL SECTION
BUTT HINGE JAMB

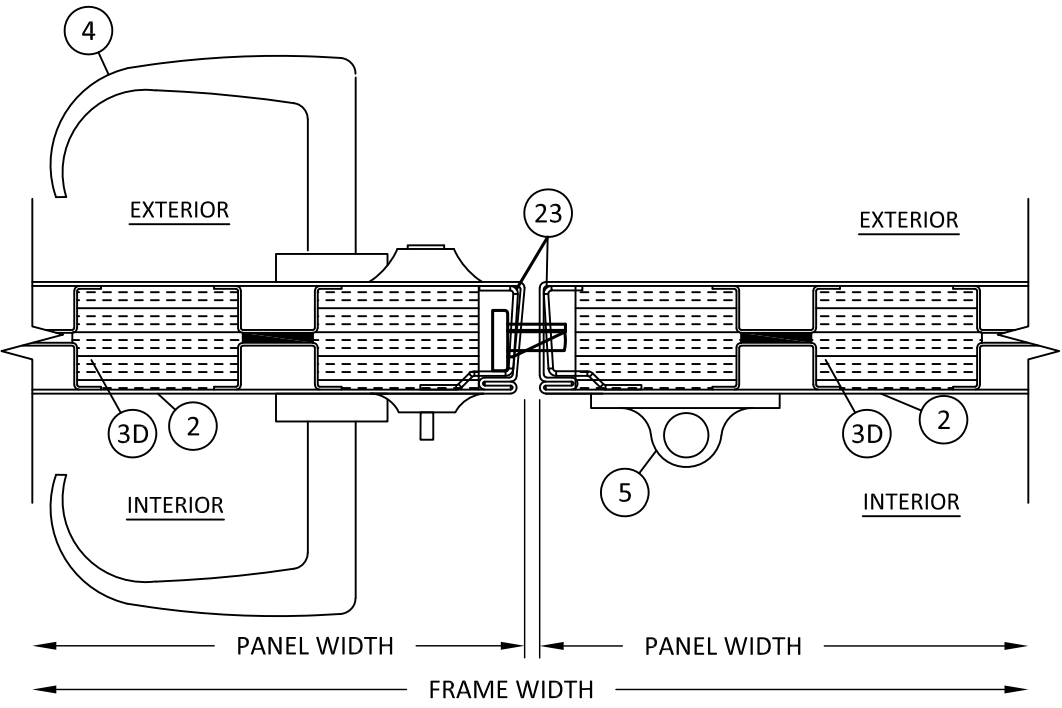
NOTE: DETAILS SHOWN WITH VARYING DOOR CORE TYPES. ANY DETAIL IS APPROVED TO BE USED WITH ANY CORE TYPE.



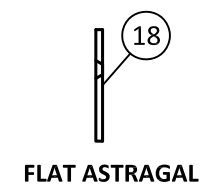
H6 HORIZONTAL SECTION
CONTINUOUS HINGE JAMB



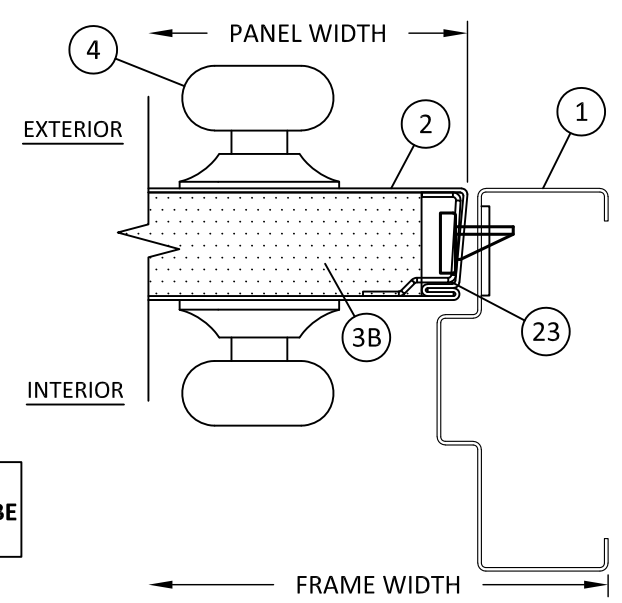
F6 HORIZONTAL SECTION
CYLINDRICAL LOCK & SURFACE BOLT MEETING STILE



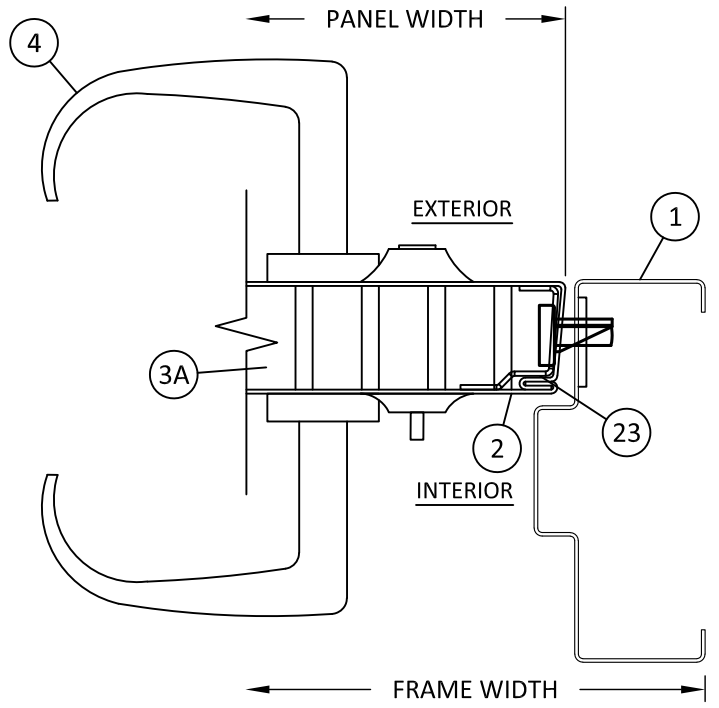
I6 HORIZONTAL SECTION
MORTISE LOCK W/ DB & SURFACE BOLT MEETING STILE



NOTE: FLAT ASTRAGAL & Z ASTRAGAL IS QUALIFIED TO BE USED WITH ALL HARDWARE.

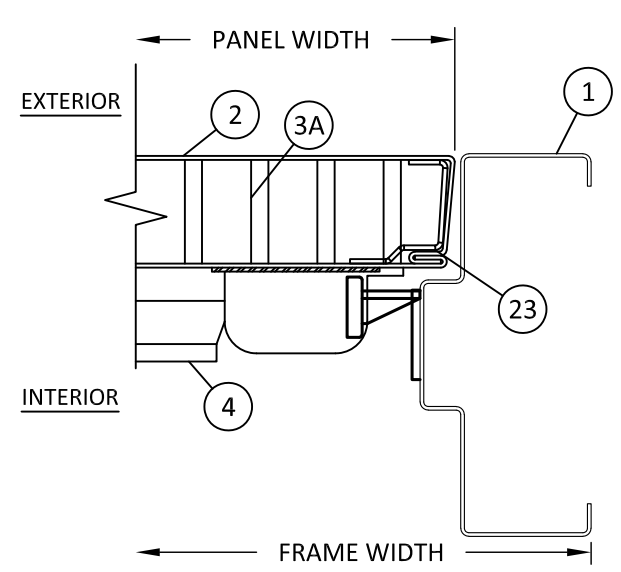
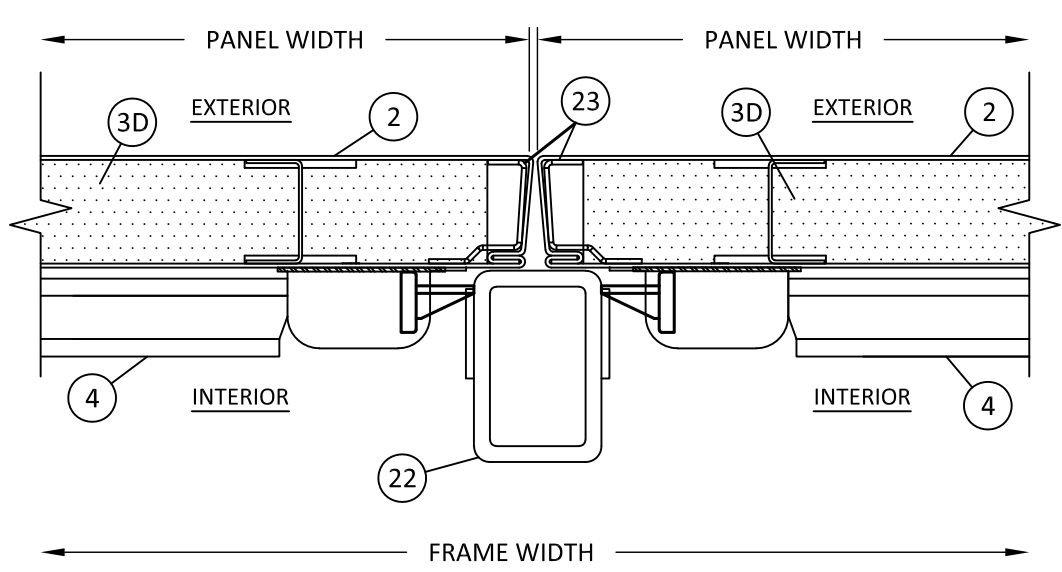
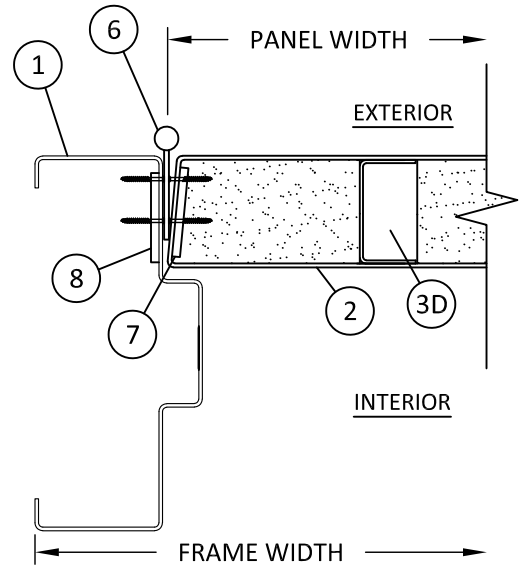


G6 HORIZONTAL SECTION
CYLINDRICAL LOCK LOCK JAMB



J6 HORIZONTAL SECTION
MORTISE LOCK WITH DEADBOLT LOCK JAMB

6/21/2024 4:03 PM
c:\users\dylanwata\building_drops, inc\building_drops landing - common\projects\de la fontaine\fbc-22-0614.1 - fbc submittal - hollow metal swing door (s-cs)\dwg\outsourcing_flush\dlf004.dwg

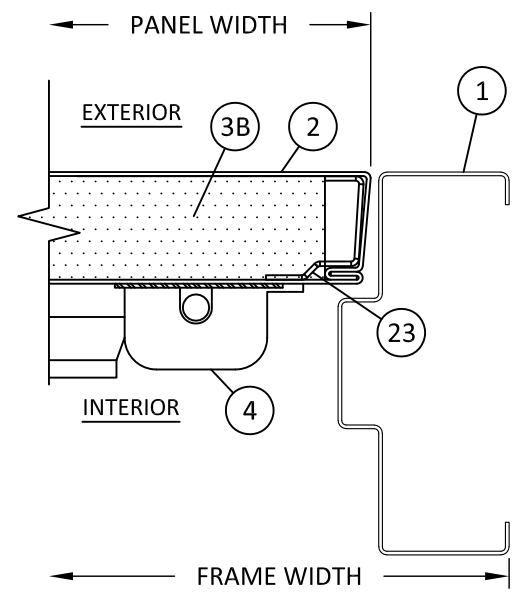
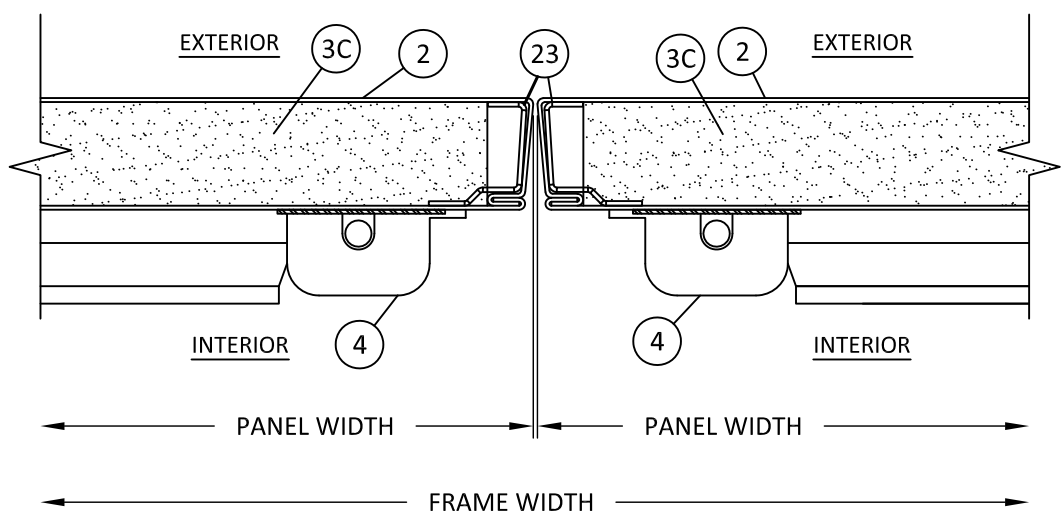
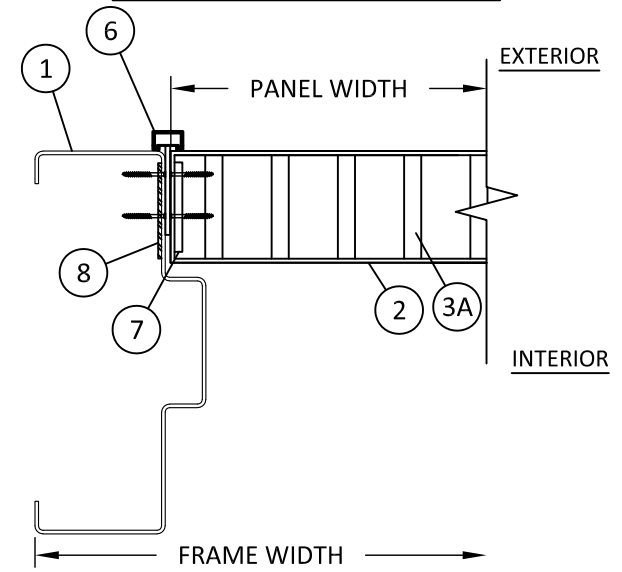


K
7 **HORIZONTAL SECTION**
BUTT HINGE JAMB

L
7 **HORIZONTAL SECTION**
RIM EXIT DEVICE W/ MULLION MEETING STILE

M
7 **HORIZONTAL SECTION**
RIM EXIT DEVICE LOCK JAMB

NOTE: DETAILS SHOWN WITH VARYING DOOR CORE TYPES. ANY DETAIL IS APPROVED TO BE USED WITH ANY CORE TYPE.



N
7 **HORIZONTAL SECTION**
CONTINUOUS HINGE JAMB

O
7 **HORIZONTAL SECTION**
SURFACE VERTICAL RODS MEETING STILE

P
7 **HORIZONTAL SECTION**
SURFACE VERTICAL RODS LOCK JAMB

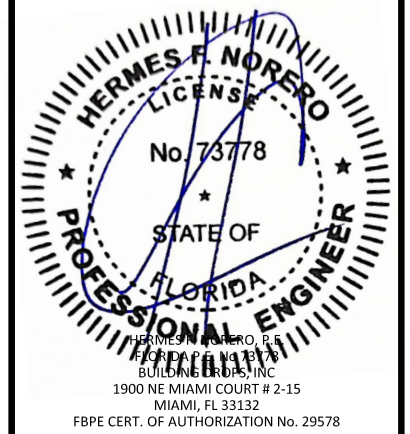


4115 BRODEUR STREET
SHERBROOKE, QC J1L1K4
PH: (819) 821-9230 FX: (819) 569-5928

TITLE: OUTSWING DOUBLE & SINGLE FLUSH STEEL DOOR (HVHZ) (IMPACT) HORIZONTAL SECTIONS
PREPARED BY: BUILDING DROPS, INC.
1900 NE MIAMI COURT, STE. 2-15
MIAMI, FL 33132
PH: (954)399-8478
FAX: (954)744-4738
WEB: www.buildingdrops.com

REMARKS	BY	DATE

THE INSTALLATION DETAILS DESCRIBED HEREIN ARE GENERIC AND MAY NOT REFLECT ACTUAL CONDITIONS FOR A SPECIFIC SITE. IF SITE CONDITIONS CAUSE INSTALLATION TO DEVIATE FROM THE REQUIREMENTS DETAILED HEREIN, A LICENSED ENGINEER OR ARCHITECT SHALL PREPARE SITE SPECIFIC DOCUMENTS FOR USE WITH THIS DOCUMENT.

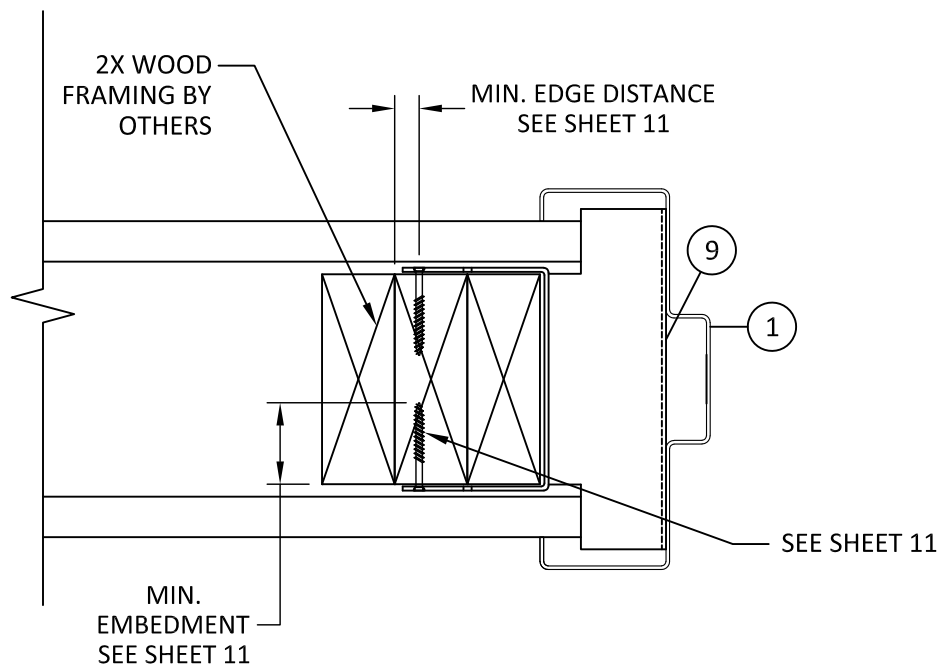


FL46851

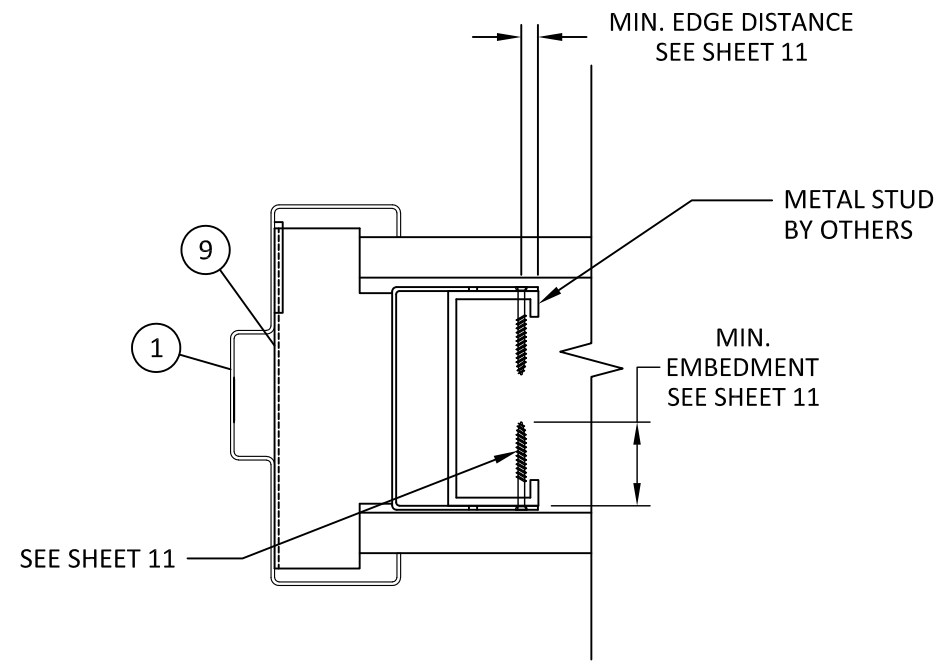
DATE:	06.18.24
DWG. BY:	DI
CHK. BY:	HFN
SCALE:	NTS
DWG. #:	DLF004

SHEET:
7
OF 18

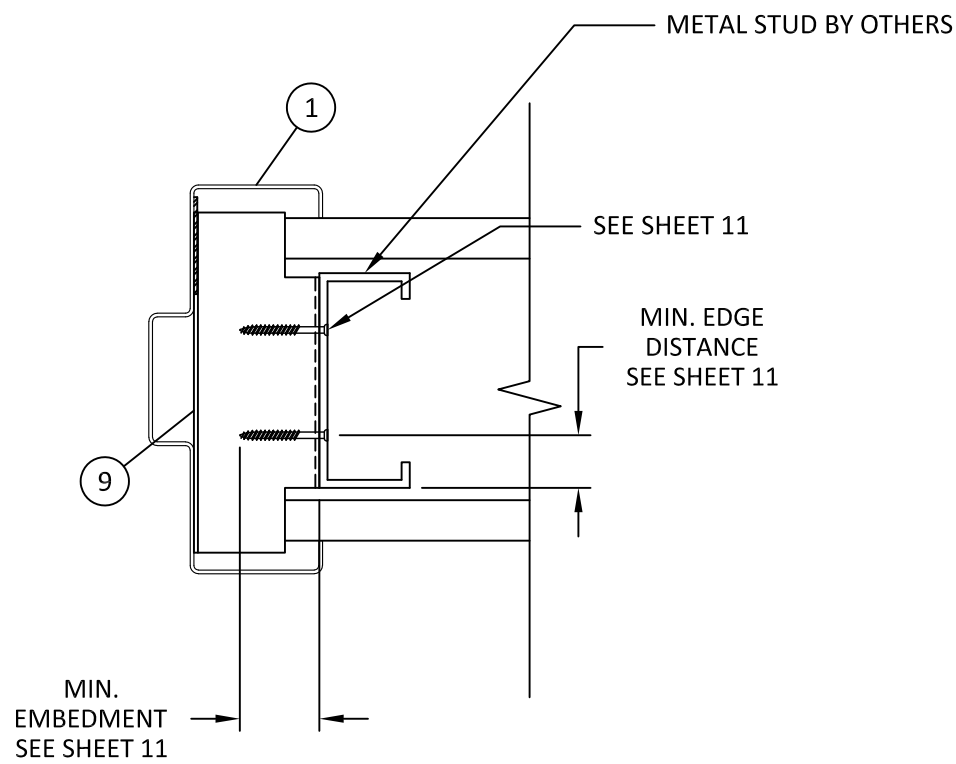
c:\users\dylanwata\building_drops, inc\building_drops landing - common\projects\de la fontaine\fbc-22-0614.1 - fbc submittal - hollow metal swing door ls-cs\dwg\outspring flush\dlf004.dwg 6/21/2024 4:03 PM



Q
8 **HORIZONTAL SECTION**
COMBINATION ANCHOR
WOOD STUD



R
8 **HORIZONTAL SECTION**
COMBINATION ANCHOR
METAL STUD



S
8 **HORIZONTAL SECTION**
Z ANCHOR
METAL STUD



4115 BRODEUR STREET
SHERBROOKE, QC J1L1K4
PH: (819) 821-9230 FX: (819) 569-5928

TITLE: OUTSWING DOUBLE & SINGLE
FLUSH STEEL DOOR
(HVHZ) (IMPACT)

INSTALLATION DETAILS - COMBINATION
AND Z ANCHORS

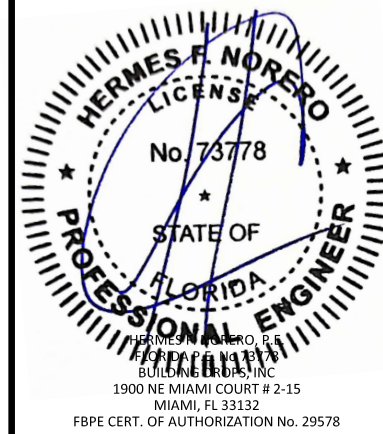
PREPARED BY:

BUILDING DROPS, INC.
1900 NE MIAMI COURT, STE. 2-15
MIAMI, FL 33132
PH: (954)399-8478
FAX: (954)744-4738
WEB: www.buildingdrops.com



REMARKS	BY	DATE

THE INSTALLATION DETAILS DESCRIBED HEREIN ARE GENERIC AND MAY NOT REFLECT ACTUAL CONDITIONS FOR A SPECIFIC SITE. IF SITE CONDITIONS CAUSE INSTALLATION TO DEVIATE FROM THE REQUIREMENTS DETAILED HEREIN, A LICENSED ENGINEER OR ARCHITECT SHALL PREPARE SITE SPECIFIC DOCUMENTS FOR USE WITH THIS DOCUMENT.



FL46851

DATE: **06.18.24**

DWG. BY: **DI** CHK. BY: **HFN**

SCALE: **NTS**

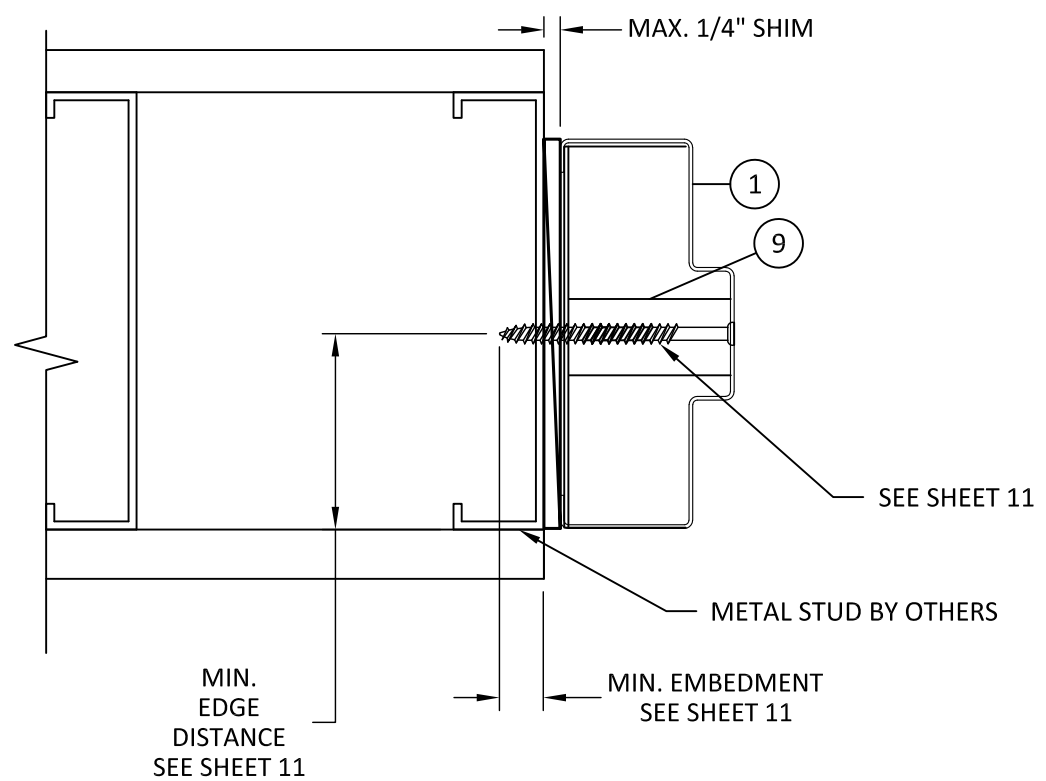
DWG. #: **DLF004**

SHEET:

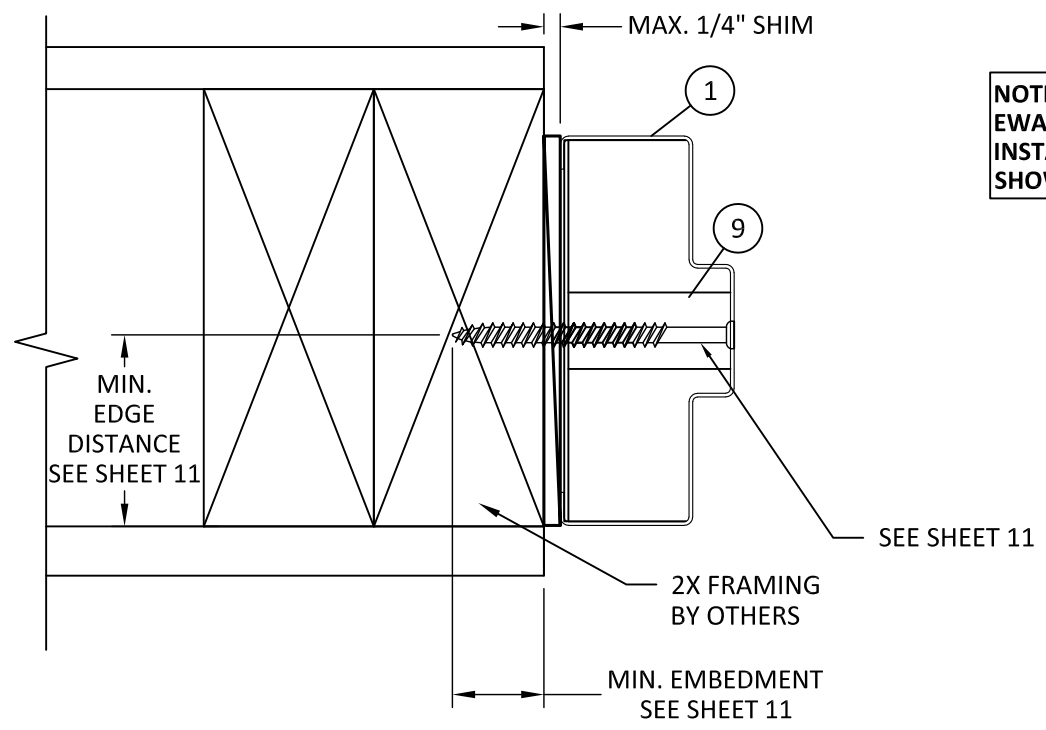
8

OF 18

c:\users\dylanwata\building_drops, inc\building_drops landing - common\projects\de la fontaine\bc-22-0614.1 - fbc submittal - hollow metal swing door is-cs\dwg\outswwing flush\dlf004.dwg 6/21/2024 4:03 PM

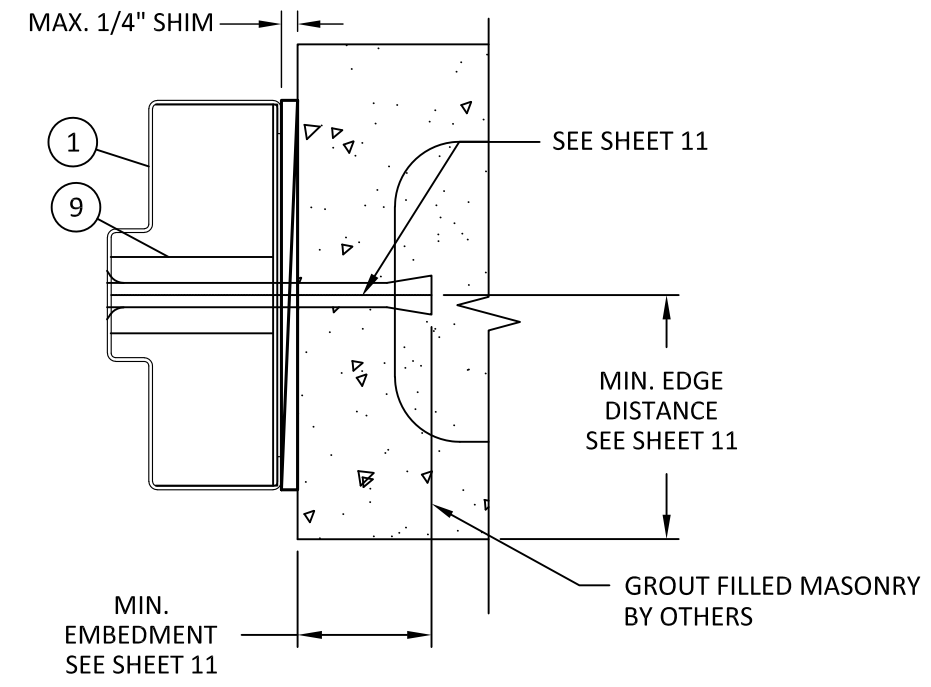


T
9 **HORIZONTAL SECTION**
EWA TUBE ANCHOR
METAL STUD

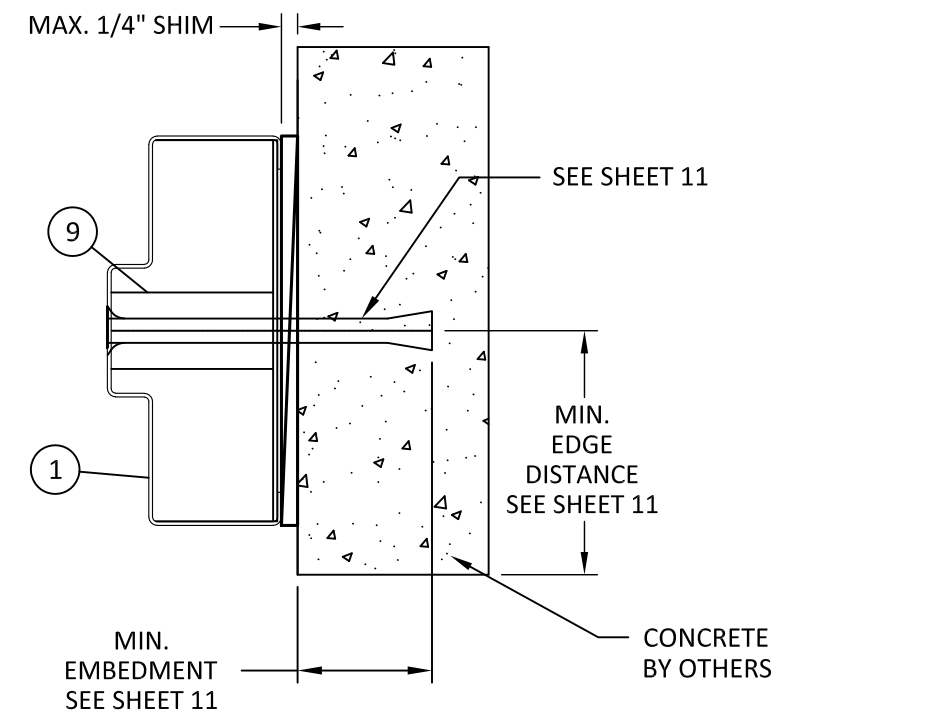


V
9 **HORIZONTAL SECTION**
EWA TUBE ANCHOR
WOOD STUD

**NOTE: EWA TUBE SHOWN.
EWA IS QUALIFIED FOR ALL
INSTALLATION SUBSTRATES
SHOWN.**



U
9 **HORIZONTAL SECTION**
EWA TUBE ANCHOR
CONCRETE MASONRY UNIT



W
9 **HORIZONTAL SECTION**
EWA TUBE ANCHOR
CONCRETE

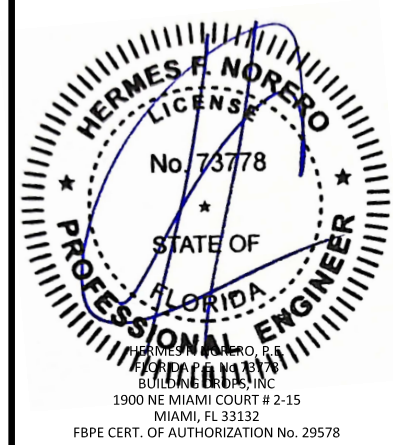


4115 BRODEUR STREET
SHERBROOKE, QC J1L1K4
PH: (819) 821-9230 FX: (819) 569-5928

TITLE: OUTSWING DOUBLE & SINGLE
FLUSH STEEL DOOR
(HVHZ) (IMPACT)
INSTALLATION DETAILS - EWA ANCHORS
PREPARED BY: BUILDING DROPS, INC.
1900 NE MIAMI COURT, STE. 2-15
MIAMI, FL 33132
PH: (954)399-8478
FAX: (954)744-4738
WEB: www.buildingdrops.com

REMARKS	BY	DATE

THE INSTALLATION DETAILS DESCRIBED HEREIN ARE GENERIC AND MAY NOT REFLECT ACTUAL CONDITIONS FOR A SPECIFIC SITE. IF SITE CONDITIONS CAUSE INSTALLATION TO DEVIATE FROM THE REQUIREMENTS DETAILED HEREIN, A LICENSED ENGINEER OR ARCHITECT SHALL PREPARE SITE SPECIFIC DOCUMENTS FOR USE WITH THIS DOCUMENT.



FL46851

DATE: **06.18.24**

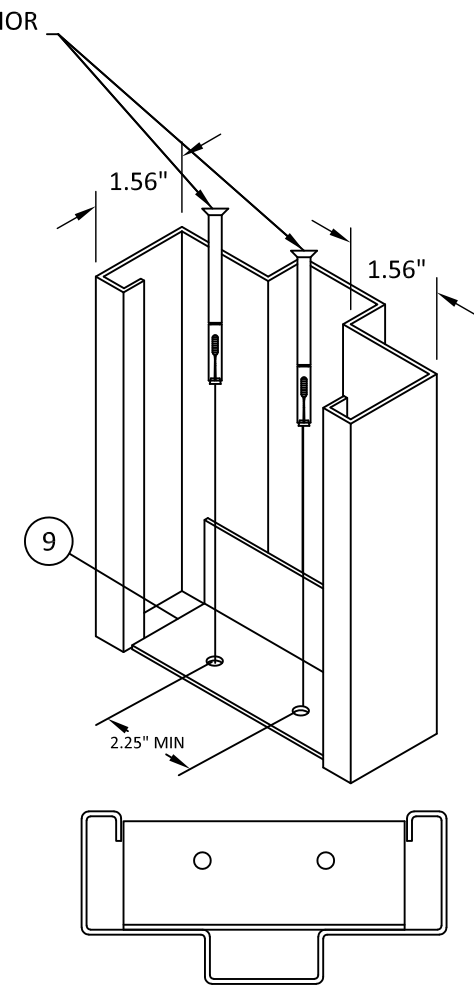
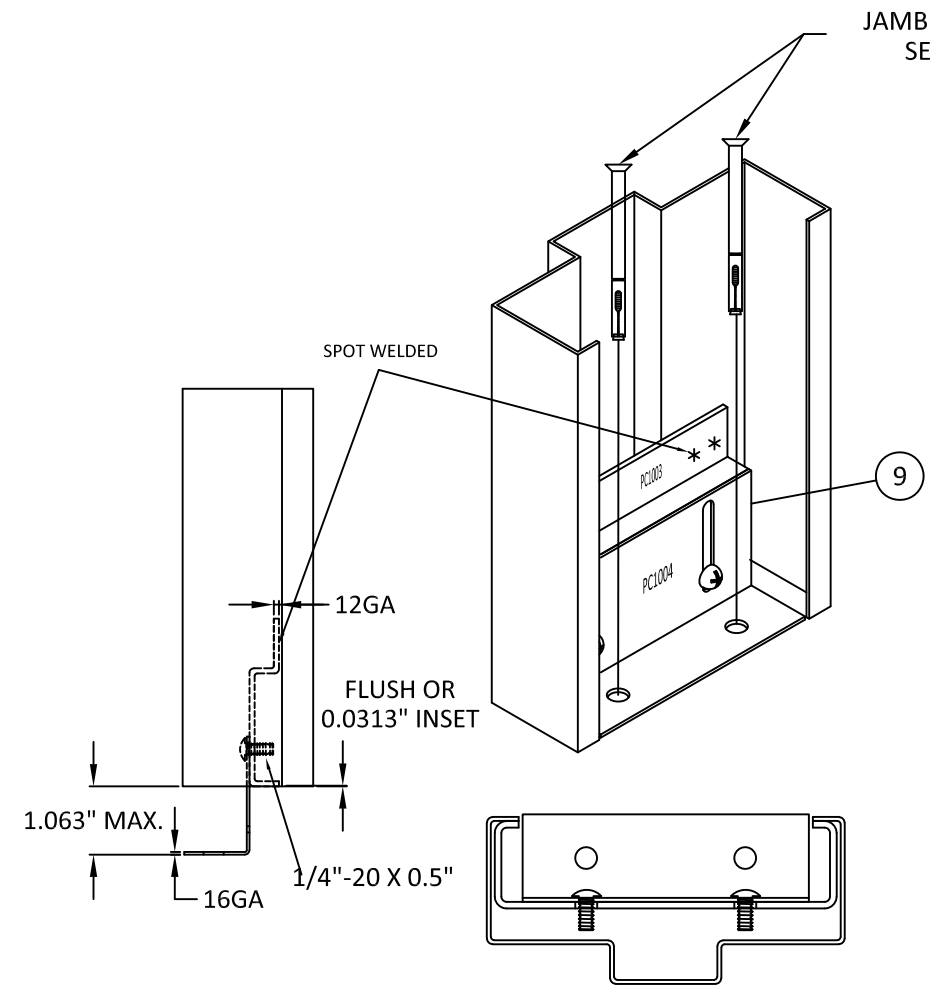
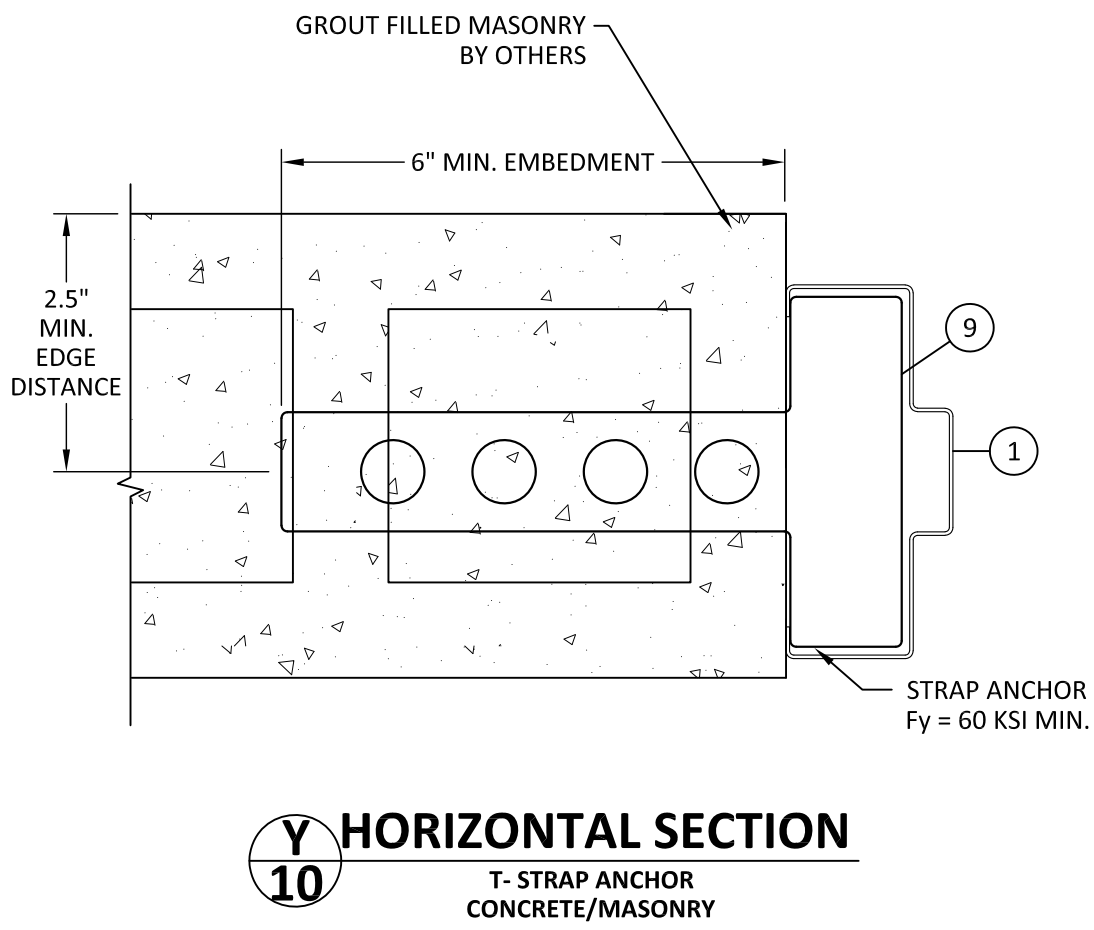
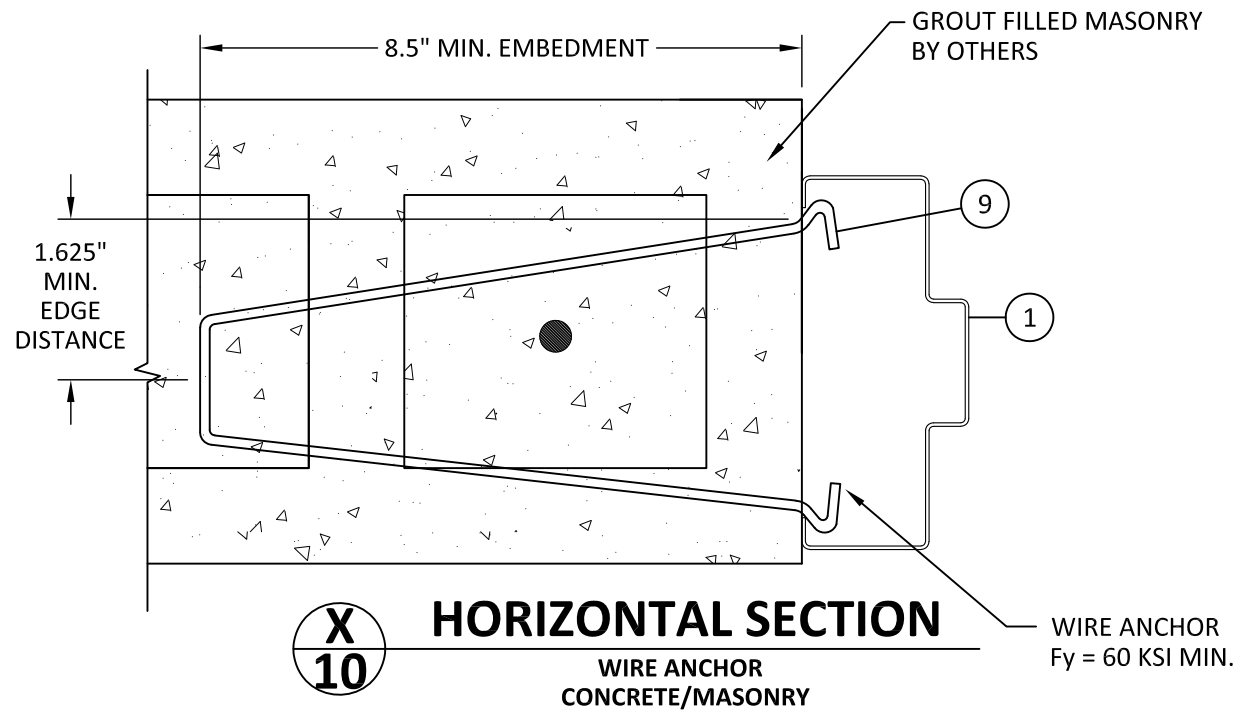
DWG. BY: **DI** CHK. BY: **HFN**

SCALE: **NTS**

DWG. #: **DLF004**

SHEET: **9**

6/21/2024 4:03 PM
c:\users\dylanwata\building_drops, inc\building_drops, inc\projects\de la fontaine\fbc-22-0614.1 - fbc submittal - hollow metal swing door (s-cs)\dwg\outswing_flush\dlf004.dwg



NOTE: WELDED OR ADJUSTABLE BASE ANCHOR TO BE USED WITH T-STRAP, WIRE, COMBINATION & Z ANCHOR ONLY

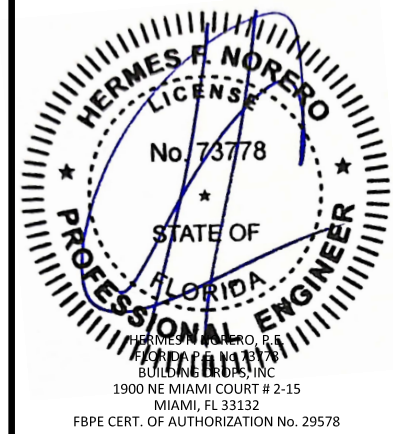
TITLE: OUTSWING DOUBLE & SINGLE
FLUSH STEEL DOOR
(HVHZ) (IMPACT)

INSTALLATION DETAILS - WIRE/T MASONRY
& JAMB BASE ANCHORS

PREPARED BY:
BUILDING DROPS, INC.
1900 NE MIAMI COURT, STE. 2-15
MIAMI, FL 33132
PH: (954) 359-8478
FAX: (954) 744-4738
WEB: www.buildingdrops.com

REMARKS	BY	DATE

THE INSTALLATION DETAILS DESCRIBED HEREIN ARE GENERIC AND MAY NOT REFLECT ACTUAL CONDITIONS FOR A SPECIFIC SITE. IF SITE CONDITIONS CAUSE INSTALLATION TO DEVIATE FROM THE REQUIREMENTS DETAILED HEREIN, A LICENSED ENGINEER OR ARCHITECT SHALL PREPARE SITE SPECIFIC DOCUMENTS FOR USE WITH THIS DOCUMENT.



FL46851

DATE: 06.18.24

DWG. BY: DI CHK. BY: HFN

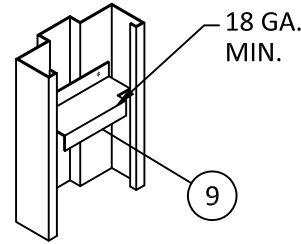
SCALE: NTS

DWG. #: DLF004

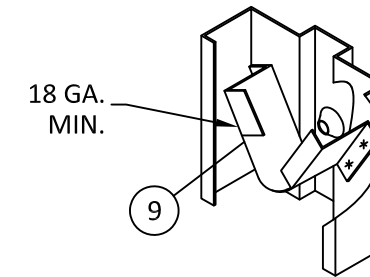
SHEET: 10 OF 18

INSTALLATION NOTES:

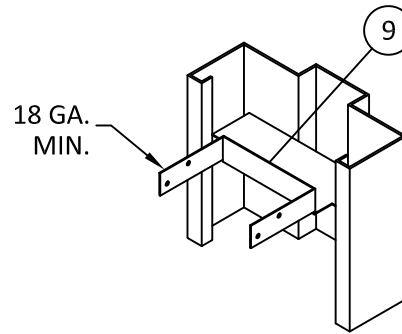
- ONE (1) INSTALLATION ANCHOR IS REQUIRED AT EACH ANCHOR LOCATION SHOWN UNLESS OTHERWISE NOTED.
- THE NUMBER OF INSTALLATION ANCHORS DEPICTED IS THE MINIMUM NUMBER OF ANCHORS TO BE USED FOR PRODUCT INSTALLATION.
- INSTALL INDIVIDUAL INSTALLATION ANCHORS WITHIN A TOLERANCE OF ±1/2 INCH OF THE DEPICTED LOCATION IN THE ANCHOR LAYOUT DETAIL (I.E., WITHOUT CONSIDERATION OF TOLERANCES). TOLERANCES ARE NOT CUMULATIVE FROM ONE INSTALLATION ANCHOR TO THE NEXT.
- SHIM AS REQUIRED AT EACH INSTALLATION ANCHOR WITH LOAD BEARING SHIM(S). MAXIMUM ALLOWABLE SHIM STACK TO BE 1/4 INCH. SHIM WHERE SPACE OF 1/16 INCH OR GREATER OCCURS. SHIM(S) SHALL BE CONSTRUCTED OF HIGH DENSITY PLASTIC OR BETTER.
- MINIMUM EMBEDMENT AND EDGE DISTANCE EXCLUDE WALL FINISHES, INCLUDING BUT NOT LIMITED TO STUCCO, FOAM, BRICK VENEER, AND SIDING.
- INSTALLATION ANCHORS AND ASSOCIATED HARDWARE MUST BE MADE OF CORROSION RESISTANT MATERIAL OR HAVE A CORROSION RESISTANT COATING.
- FOR GROUT FILLED BLOCK, DO NOT INSTALL INSTALLATION ANCHORS INTO MORTAR JOINTS. EDGE DISTANCE IS MEASURED FROM FREE EDGE OF BLOCK OR EDGE OF MORTAR JOINT INTO FACE SHELL OF BLOCK.
- INSTALLATION ANCHORS SHALL BE INSTALLED IN ACCORDANCE WITH ANCHOR MANUFACTURER'S INSTALLATION INSTRUCTIONS, AND ANCHORS SHALL NOT BE USED IN SUBSTRATES WITH STRENGTHS LESS THAN THE MINIMUM STRENGTH SPECIFIED BY THE ANCHOR MANUFACTURER.



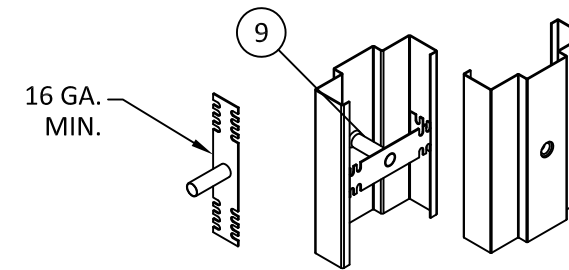
DETAIL CC
Z ANCHOR



DETAIL EE
EXISTING WALL ANCHOR (EWA)



DETAIL DD
COMBINATION WOOD/STEEL STUD ANCHOR



DETAIL FF
EXISTING WALL ANCHOR (EWA) TUBE

EWA TUBE ANCHOR SCHEDULE			
SUBSTRATE	ANCHOR TYPE	MIN. EMBEDMENT	MIN. EDGE DISTANCE
WOOD: MIN. S.G. = 0.55	3/8" LAG SCREW	3"	1"
STEEL: MIN. 18 GA. MIN. Fy = 33 ksi	3/8" GRADE 5 SELF-DRILLING/ SELF-TAPPING SCREW	3 THREADS MIN PENETRATION BEYOND METAL	1/2"
ALUMINUM: MIN. 1/8" THICK MIN. 6063-T5			
CONCRETE: MIN. f'c = 3000 psi	3/8" ITW TAPCON	1-1/2"	2-1/4"
	3/8" ITW DYNABOLT	1-1/2"	2-1/4"
MASONRY: CMU per ASTM C90 MIN. 2000 PSI	3/8" ITW TAPCON	1-1/2"	2-1/4"
	3/8" ITW DYNABOLT	1-1/2"	2-1/4"

Z ANCHOR SCHEDULE			
SUBSTRATE	ANCHOR TYPE	MIN. EMBEDMENT	MIN. EDGE DISTANCE
STEEL: MIN. 18 GA. MIN. Fy = 33 ksi	#10 GRADE 5 SELF-DRILLING/ SELF-TAPPING SCREW	3 THREADS MIN PENETRATION BEYOND METAL	1/2"
ALUMINUM: MIN. 1/8" THICK MIN. 6063-T5			

COMBINATION ANCHOR SCHEDULE			
SUBSTRATE	ANCHOR TYPE	MIN. EMBEDMENT	MIN. EDGE DISTANCE
WOOD: MIN. S.G. = 0.55	#10 WOOD SCREW	1-1/2"	1/2"
STEEL: MIN. 18 GA. MIN. Fy = 33 ksi	#10 GRADE 5 SELF-DRILLING/ SELF-TAPPING SCREW	3 THREADS MIN PENETRATION BEYOND METAL	1/2"
ALUMINUM: MIN. 1/8" THICK MIN. 6063-T5			

TITLE: OUTSWING DOUBLE & SINGLE
FLUSH STEEL DOOR
(HVHZ) (IMPACT)

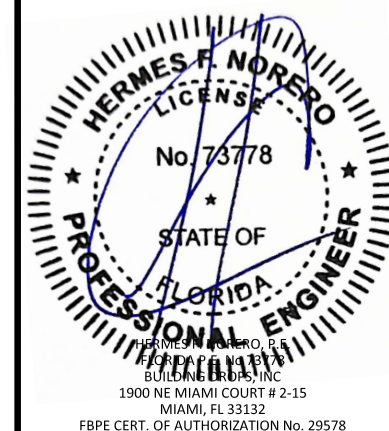
INSTALLATION DETAILS & NOTES

PREPARED BY:
BUILDING DROPS, INC.
1900 NE MIAMI COURT, STE. 2-15
MIAMI, FL 33132
PH: (954)399-8478
FAX: (954)744-4738
WEB: www.buildingdrops.com



REMARKS	BY	DATE

THE INSTALLATION DETAILS DESCRIBED HEREIN ARE GENERIC AND MAY NOT REFLECT ACTUAL CONDITIONS FOR A SPECIFIC SITE. IF SITE CONDITIONS CAUSE INSTALLATION TO DEVIATE FROM THE REQUIREMENTS DETAILED HEREIN, A LICENSED ENGINEER OR ARCHITECT SHALL PREPARE SITE SPECIFIC DOCUMENTS FOR USE WITH THIS DOCUMENT.



FL46851

DATE: **06.18.24**

DWG. BY: **DI** CHK. BY: **HFN**

SCALE: **NTS**

DWG. #: **DLF004**

SHEET:

11

OF 18

c:\users\dylanwata\building_drops, inc\building_drops landing - common\projects\de la fontaine\bc-22-0614.1 - fbc submittal - hollow metal swing door is-cs\dwg\outsourcing flush\dlf004.dwg 6/21/2024 4:03 PM

GASKETING DETAILS FOR WATER INFILTRATION



4115 BRODEUR STREET
SHERBROOKE, QC J1L1K4
PH: (819) 821-9230 FX: (819) 569-5928

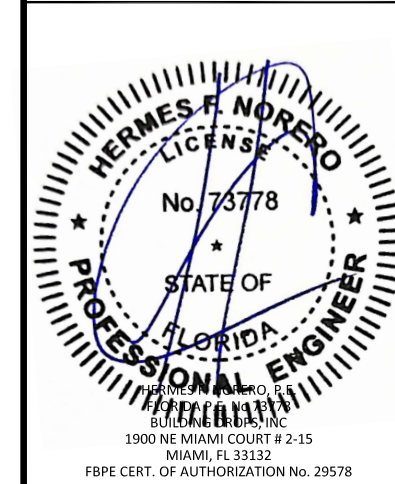
TITLE: OUTSWING DOUBLE & SINGLE
FLUSH STEEL DOOR
(HVHZ) (IMPACT)
GASKETING DETAILS FOR
WATER INFILTRATION

PREPARED BY:
BUILDING DROPS, INC.
1900 NE MIAMI COURT, STE. 2-15
MIAMI, FL 33132
PH: (954) 359-8478
FAX: (954) 744-4738
WEB: www.buildingdrops.com



REMARKS	BY	DATE

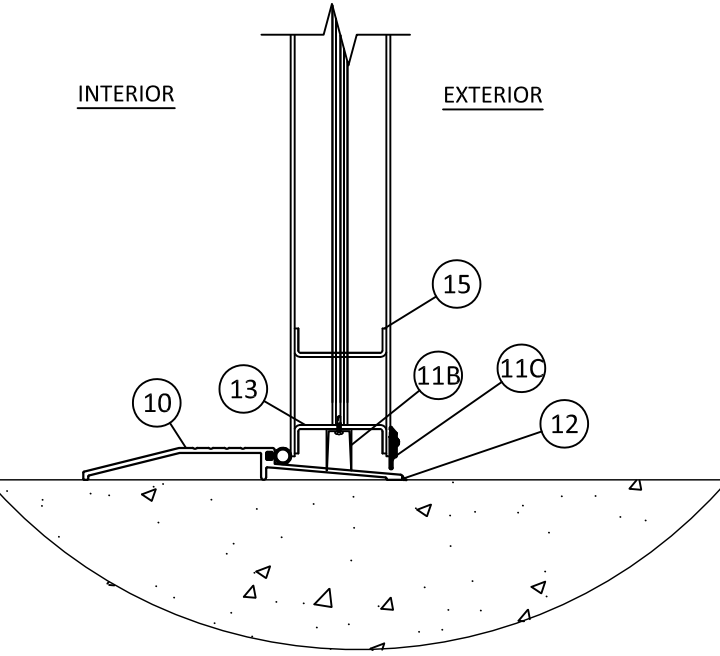
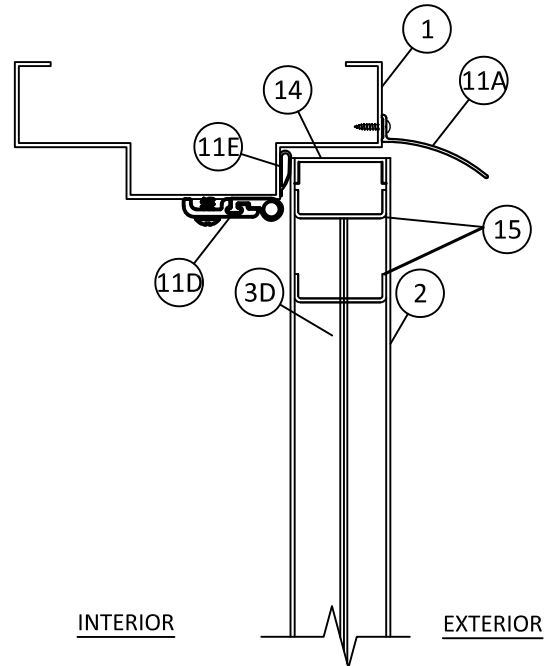
THE INSTALLATION DETAILS DESCRIBED HEREIN ARE GENERIC AND MAY NOT REFLECT ACTUAL CONDITIONS FOR A SPECIFIC SITE. IF SITE CONDITIONS CAUSE INSTALLATION TO DEVIATE FROM THE REQUIREMENTS DETAILED HEREIN, A LICENSED ENGINEER OR ARCHITECT SHALL PREPARE SITE SPECIFIC DOCUMENTS FOR USE WITH THIS DOCUMENT.



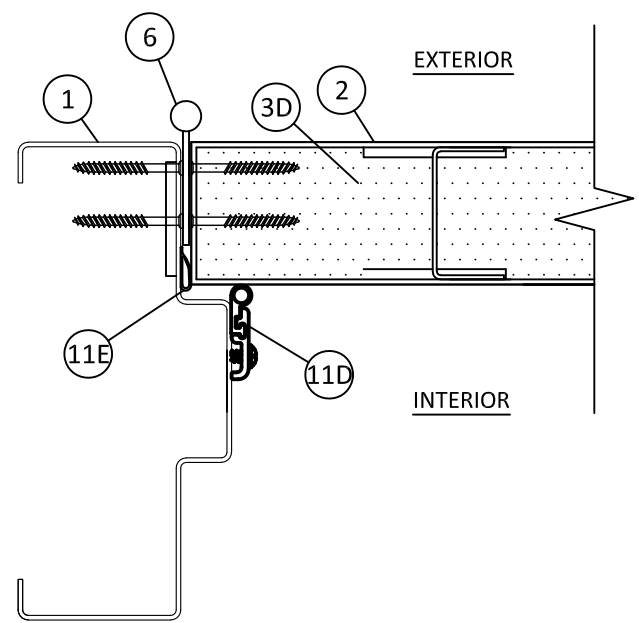
FL46851

DATE:	06.18.24
DWG. BY:	DI
CHK. BY:	HFN
SCALE:	NTS
DWG. #:	DLF004

SHEET:
12
OF 18

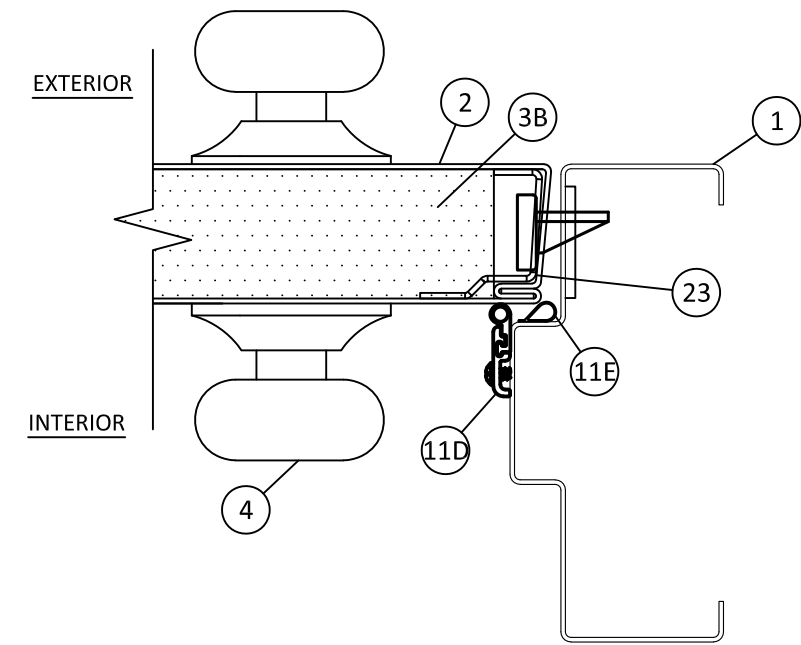


Z
12 VERTICAL SECTION
WATER INFILTRATION



AB
12 HORIZONTAL SECTION
WATER INFILTRATION

NOTE:
1. SEAL ALL JOINTS WHERE FRAME MEETS WALL WITH BUTYL RUBBER OR SILICONE CAULK.
2. INSTALL THRESHOLD INTO BEAD OF BUTYL RUBBER OR SILICONE CAULK.



c:\users\dylanwata\building_drops, inc\building_drops landing - common\projects\de la fontaine\fbc-22-0614.1 - fbc submittal - hollow metal swing door is-cs\dwg\outsourcing flush\dlf004.dwg 6/21/2024 4:03 PM

GASKETING DETAILS FOR WATER INFILTRATION



4115 BRODEUR STREET
SHERBROOKE, QC J1L1K4
PH: (819) 821-9230 FX: (819) 569-5928

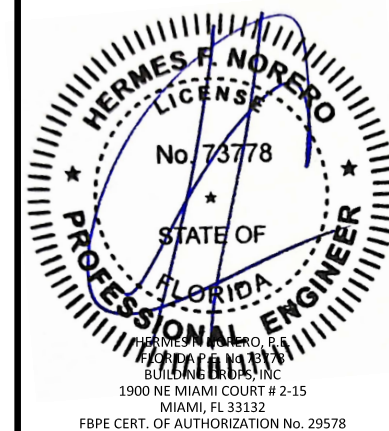
TITLE: OUTSWING DOUBLE & SINGLE
FLUSH STEEL DOOR
(HVHZ) (IMPACT)
GASKETING DETAILS FOR
AIR INFILTRATION

PREPARED BY:
BUILDING DROPS, INC.
1900 NE MIAMI COURT, STE. 2-15
MIAMI, FL 33132
PH: (954) 359-8478
FAX: (954) 744-4738
WEB: www.buildingdrops.com



REMARKS	BY	DATE

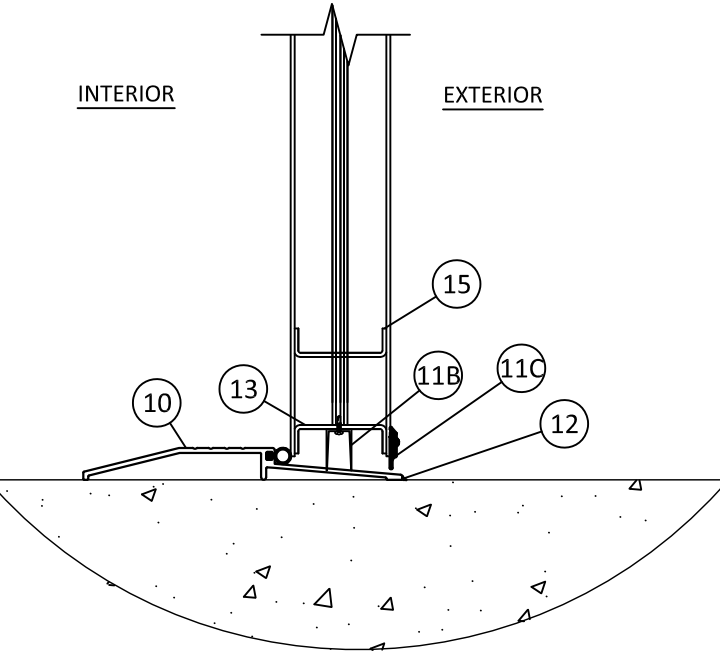
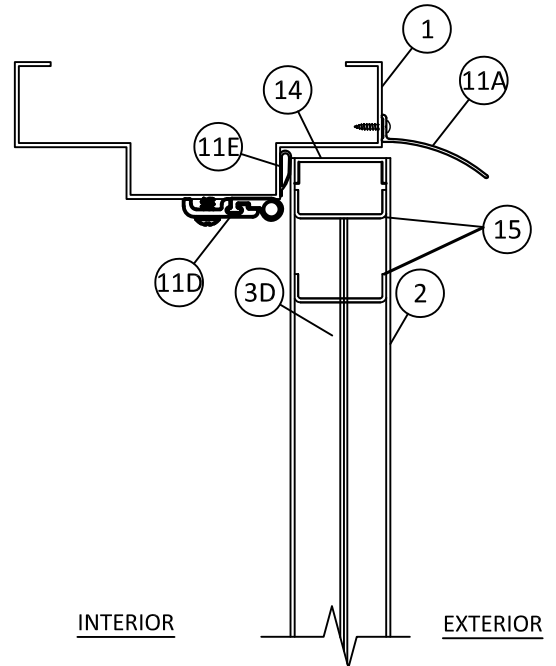
THE INSTALLATION DETAILS DESCRIBED HEREIN ARE GENERIC AND MAY NOT REFLECT ACTUAL CONDITIONS FOR A SPECIFIC SITE. IF SITE CONDITIONS CAUSE INSTALLATION TO DEVIATE FROM THE REQUIREMENTS DETAILED HEREIN, A LICENSED ENGINEER OR ARCHITECT SHALL PREPARE SITE SPECIFIC DOCUMENTS FOR USE WITH THIS DOCUMENT.



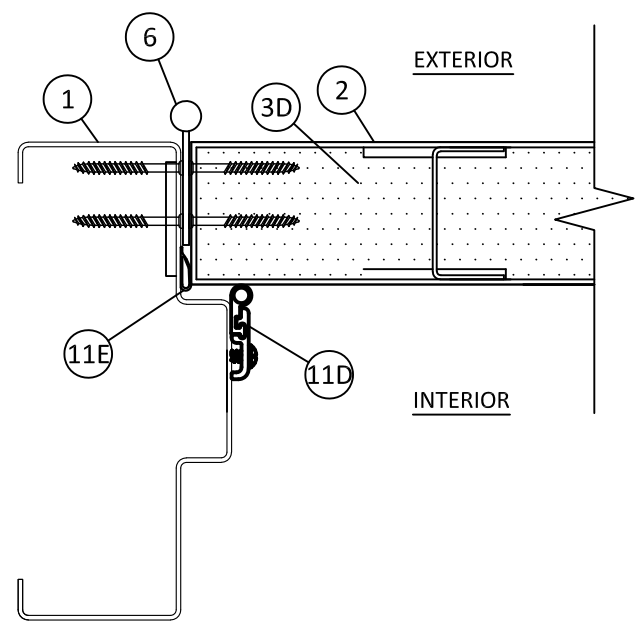
FL46851

DATE:	06.18.24
DWG. BY:	DI
CHK. BY:	HFN
SCALE:	NTS
DWG. #:	DLF004

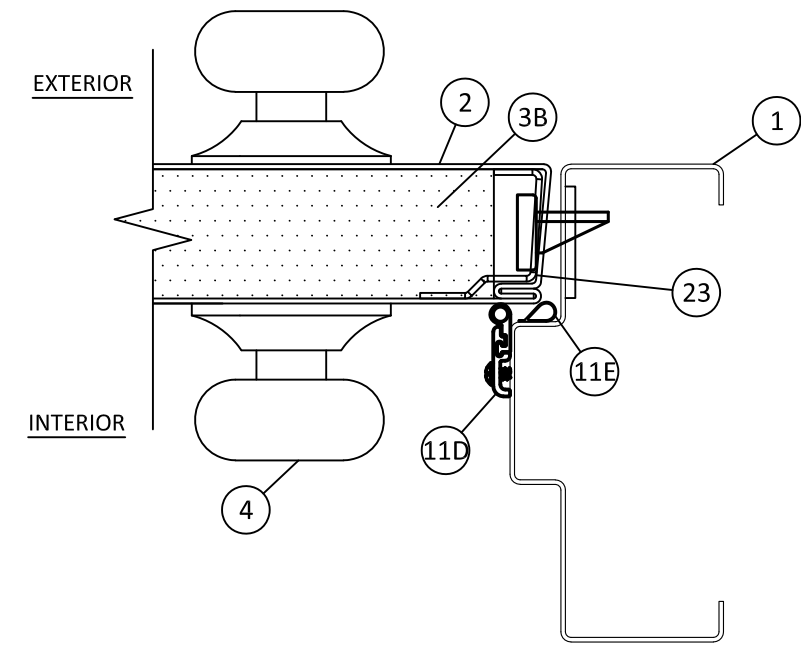
SHEET:
13
OF 18



Z
12 VERTICAL SECTION
WATER INFILTRATION



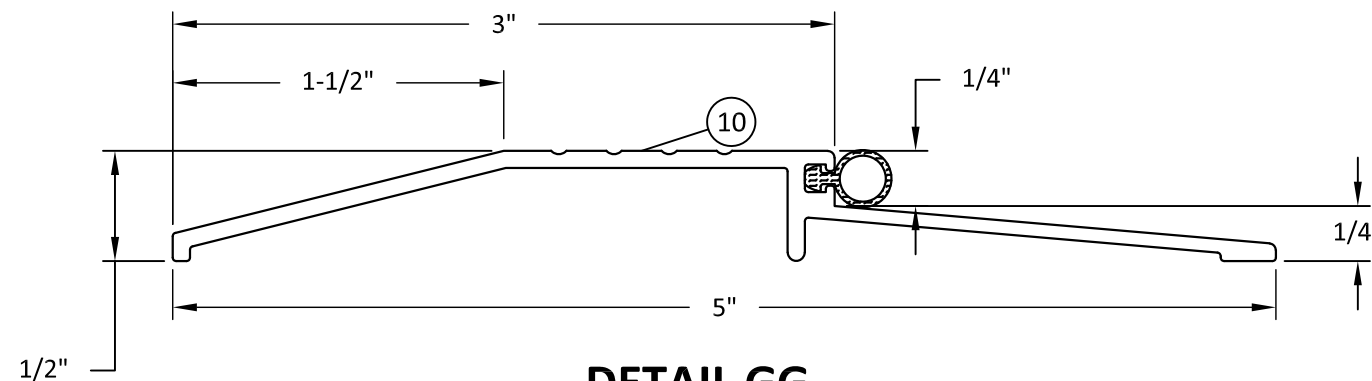
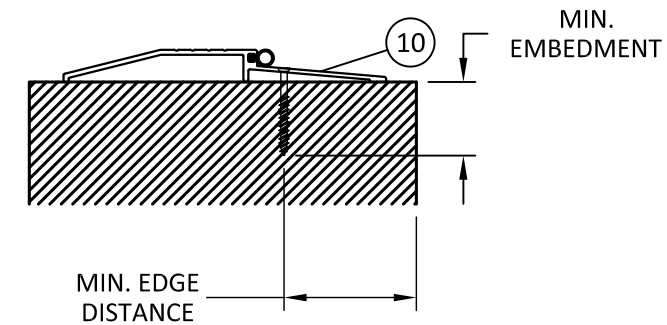
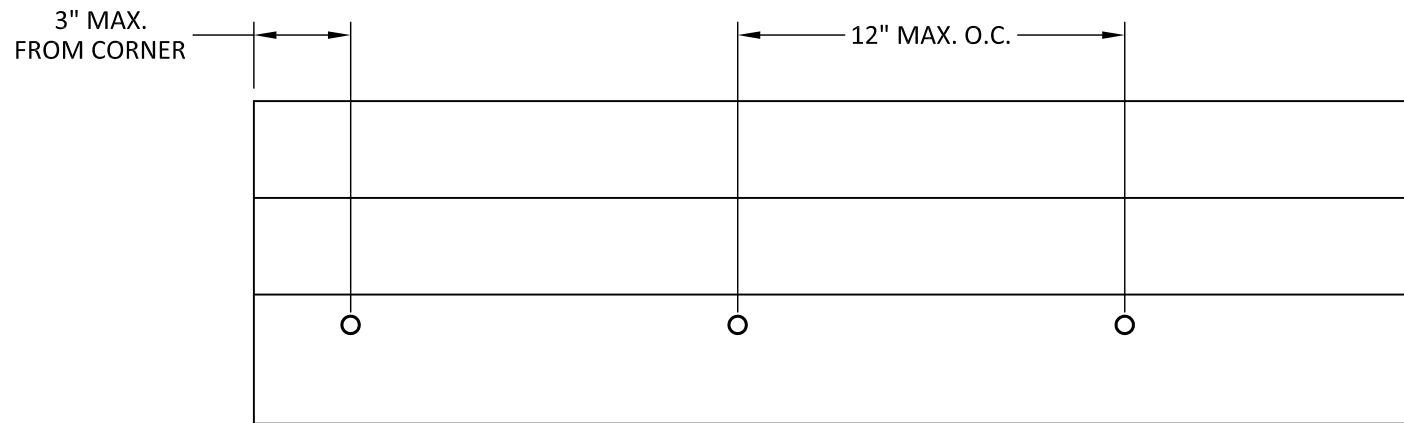
AB
12 HORIZONTAL SECTION
WATER INFILTRATION



NOTE:
1. SEAL ALL JOINTS WHERE FRAME MEETS WALL WITH BUTYL RUBBER OR SILICONE CAULK.
2. INSTALL THRESHOLD INTO BEAD OF BUTYL RUBBER OR SILICONE CAULK.

c:\users\dylanwata\building_drops, inc\building drops landing - common\projects\de la fontaine\fbc-22-0614.1 - fbc submittal - hollow metal swing door is-cs\dwg\outspring flush\dlf004.dwg 6/21/2024 4:03 PM

THRESHOLD ANCHOR SCHEDULE			
SUBSTRATE	ANCHOR TYPE	MIN. EMBEDMENT	MIN. EDGE DISTANCE
WOOD: MIN. S.G. = 0.55	#14 WOOD SCREW	1-1/2"	3/4"
CONCRETE: MIN. f'c = 3000 psi	1/4" ITW TAPCON	1-1/4"	2-1/2"



DETAIL GG
NGP 950N THRESHOLD

TITLE: OUTSWING DOUBLE & SINGLE
FLUSH STEEL DOOR
(HVHZ) (IMPACT)

THRESHOLD DETAIL & ANCHOR LAYOUT

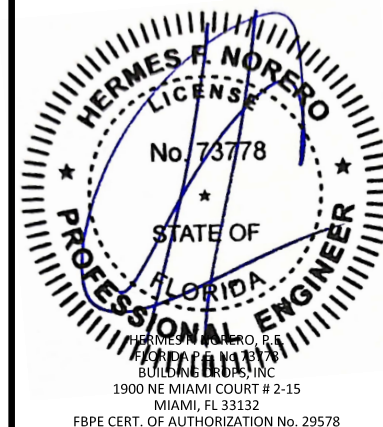
PREPARED BY:

BUILDING DROPS, INC.
1900 NE MIAMI COURT, STE. 2-15
MIAMI, FL 33132
PH: (954)399-8478
FAX: (954)744-4738
WEB: www.buildingdrops.com



REMARKS	BY	DATE

THE INSTALLATION DETAILS DESCRIBED HEREIN ARE GENERIC AND MAY NOT REFLECT ACTUAL CONDITIONS FOR A SPECIFIC SITE. IF SITE CONDITIONS CAUSE INSTALLATION TO DEVIATE FROM THE REQUIREMENTS DETAILED HEREIN, A LICENSED ENGINEER OR ARCHITECT SHALL PREPARE SITE SPECIFIC DOCUMENTS FOR USE WITH THIS DOCUMENT.



FL46851

DATE: 06.18.24

DWG. BY: DI

CHK. BY: HFN

SCALE: NTS

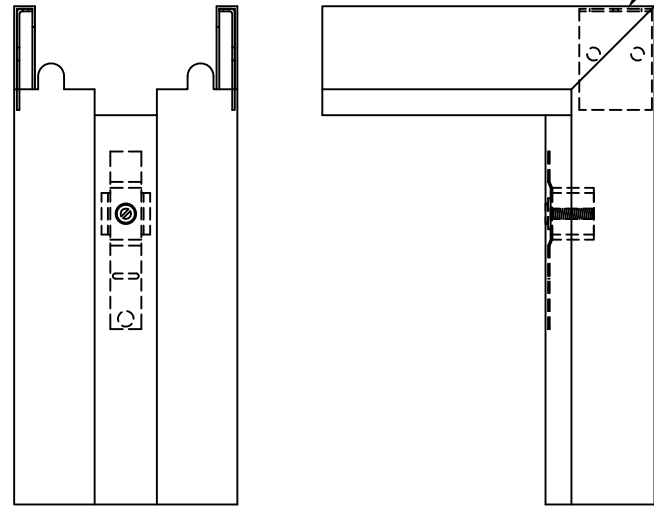
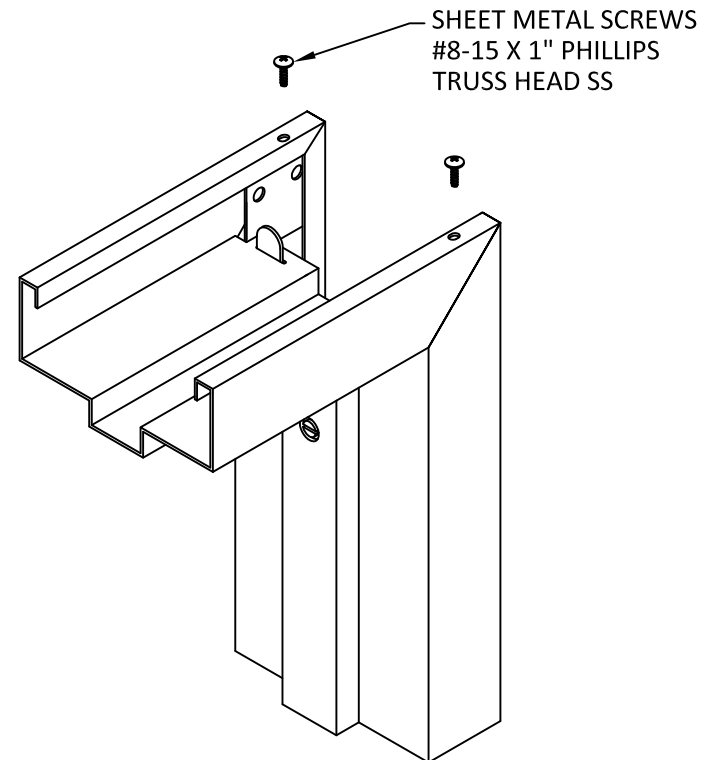
DWG. #: DLF004

SHEET:

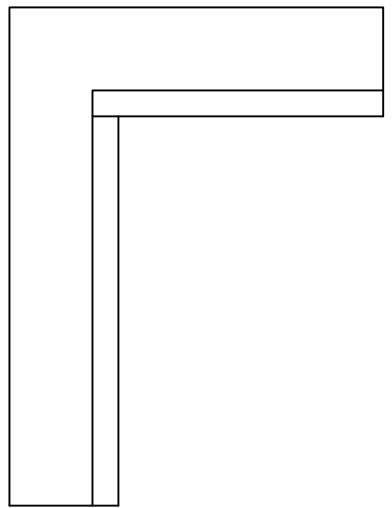
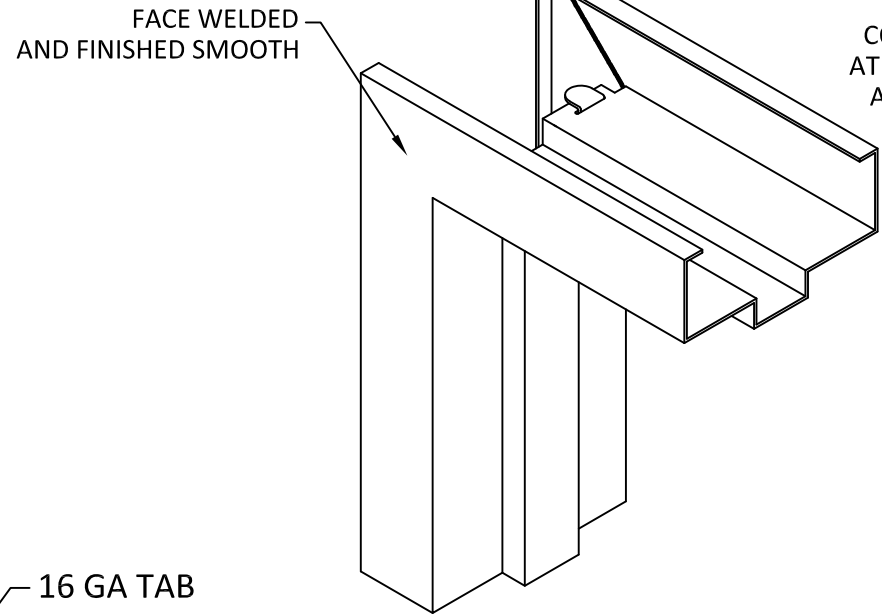
14

OF 18

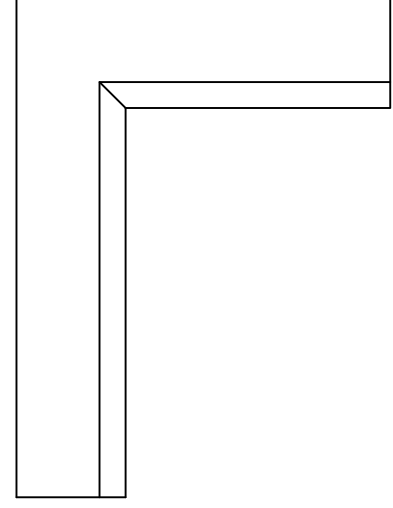
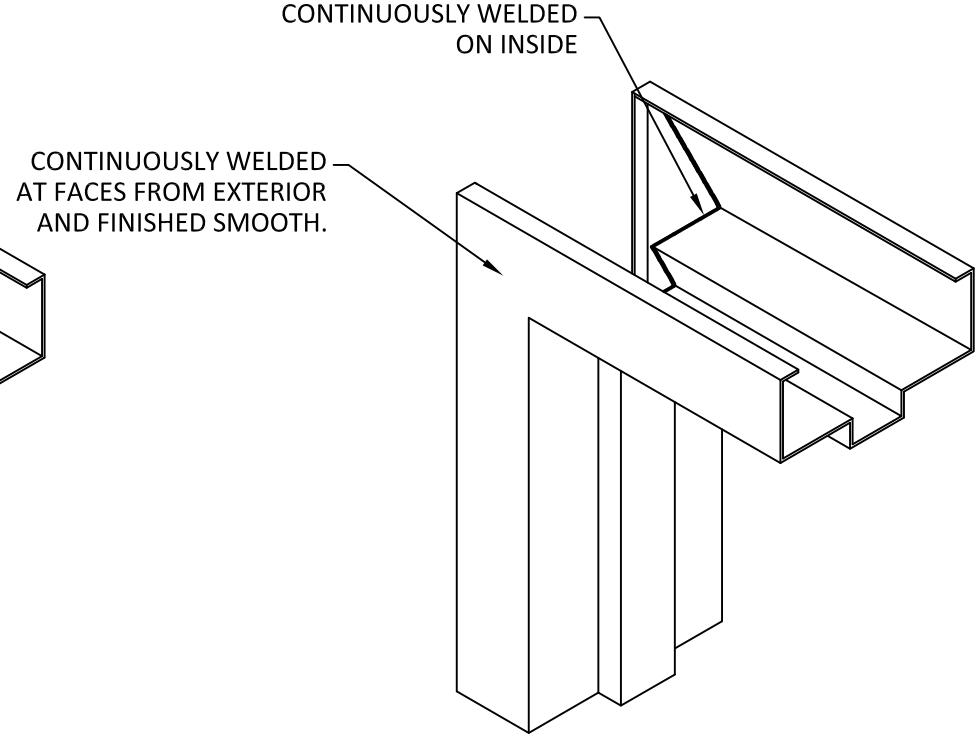
c:\users\dylanwata\building_drops, inc\building_drops landing - common\projects\de la fontaine\fbc-22-0614.1 - fbc submittal - hollow metal swing door is-cs\dwg\outspring flush\dlf004.dwg 6/21/2024 4:03 PM



DETAIL HH
KNOCK DOWN CORNER CONSTRUCTION



DETAIL II
FACE WELDED CORNER CONSTRUCTION



DETAIL JJ
FULLY WELDED CORNER CONSTRUCTION



4115 BRODEUR STREET
SHERBROOKE, QC J1L1K4
PH: (819) 821-9230 FX: (819) 569-5928

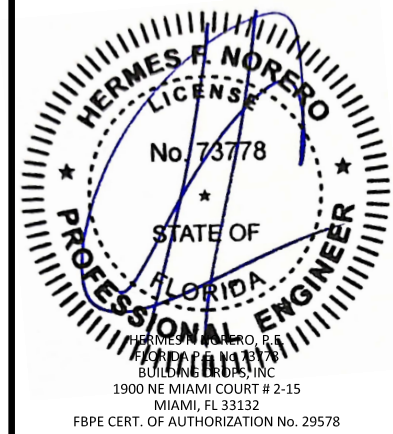
TITLE: OUTSWING DOUBLE & SINGLE
FLUSH STEEL DOOR
(HVHZ) (IMPACT)
CORNER CONSTRUCTION

PREPARED BY:
BUILDING DROPS, INC.
1900 NE MIAMI COURT, STE. 2-15
MIAMI, FL 33132
PH: (954)399-8478
FAX: (954)744-4738
WEB: www.buildingdrops.com



REMARKS	BY	DATE

THE INSTALLATION DETAILS DESCRIBED HEREIN ARE GENERIC AND MAY NOT REFLECT ACTUAL CONDITIONS FOR A SPECIFIC SITE. IF SITE CONDITIONS CAUSE INSTALLATION TO DEVIATE FROM THE REQUIREMENTS DETAILED HEREIN, A LICENSED ENGINEER OR ARCHITECT SHALL PREPARE SITE SPECIFIC DOCUMENTS FOR USE WITH THIS DOCUMENT.



FL46851

DATE: 06.18.24

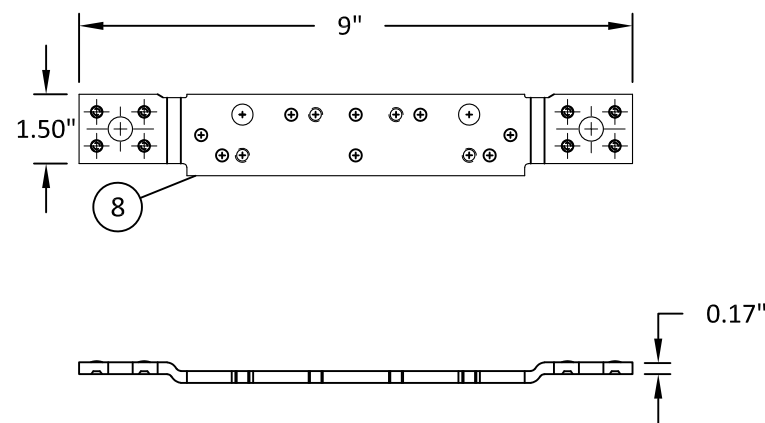
DWG. BY: DI CHK. BY: HFN

SCALE: NTS

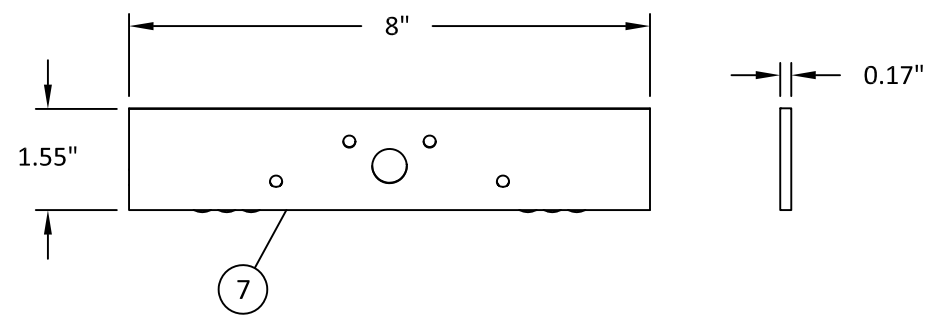
DWG. #: DLF004

SHEET:
15
OF 18

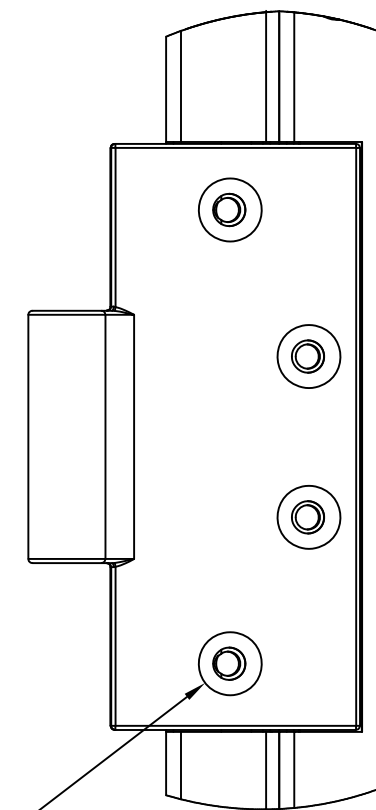
c:\users\dylanwata\building_drops, inc\building_drops landing - common\projects\de la fontaine\fbc-22-0614.1 - fbc submittal - hollow metal swing door is-cs\dwg\outspring flush\dlf004.dwg 6/21/2024 4:03 PM



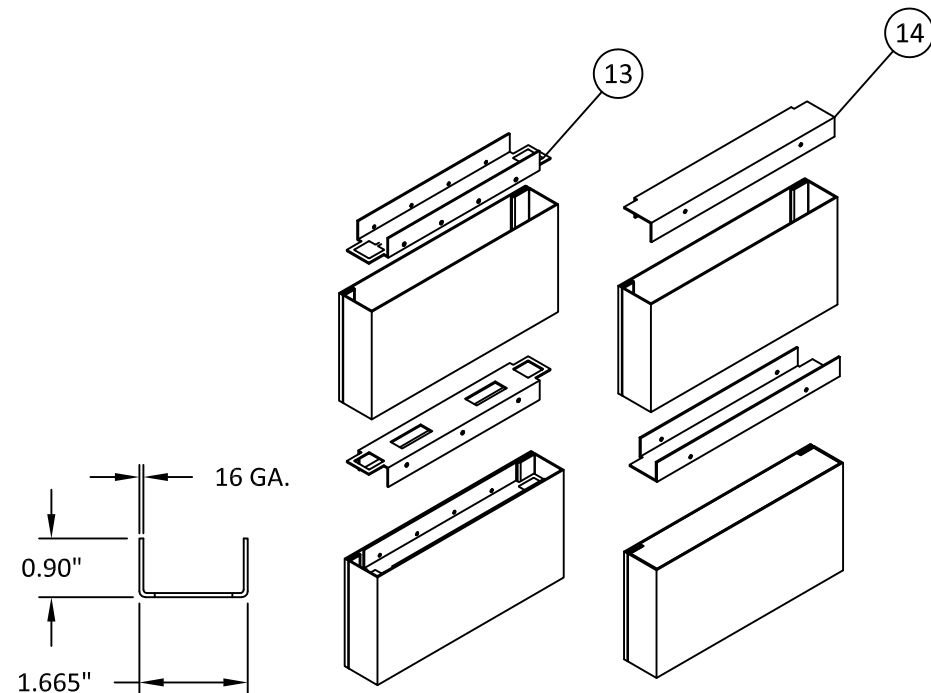
DETAIL KK
FRAME HINGE REINFORCEMENT



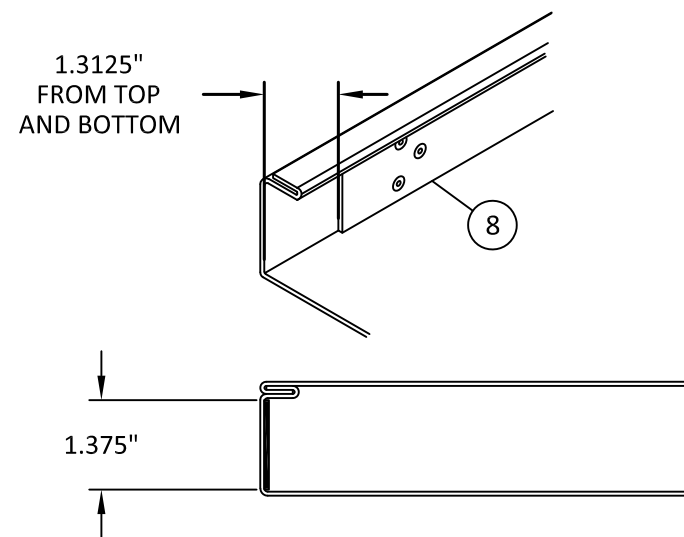
DETAIL LL
DOOR HINGE REINFORCEMENT
AND HINGE DETAIL



ATTACHED WITH FOUR (4) #12 ASSEMBLY SCREWS



DETAIL MM
END CHANNEL REINFORCEMENTS



DETAIL NN
DOOR & FRAME CONTINUOUS HINGE REINFORCEMENT
(OPTIONAL)

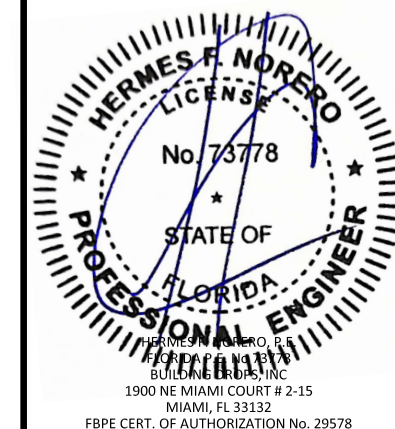
TITLE: OUTSWING DOUBLE & SINGLE
FLUSH STEEL DOOR
(HVHZ) (IMPACT)
REINFORCEMENTS

PREPARED BY:
BUILDING DROPS, INC.
1900 NE MIAMI COURT, STE. 2-15
MIAMI, FL 33132
PH: (954)399-8478
FAX: (954)744-4738
WEB: www.buildingdrops.com



REMARKS	BY	DATE

THE INSTALLATION DETAILS DESCRIBED HEREIN ARE GENERIC AND MAY NOT REFLECT ACTUAL CONDITIONS FOR A SPECIFIC SITE. IF SITE CONDITIONS CAUSE INSTALLATION TO DEVIATE FROM THE REQUIREMENTS DETAILED HEREIN, A LICENSED ENGINEER OR ARCHITECT SHALL PREPARE SITE SPECIFIC DOCUMENTS FOR USE WITH THIS DOCUMENT.



FL46851

DATE: 06.18.24

DWG. BY: DI
CHK. BY: HFN

SCALE: NTS

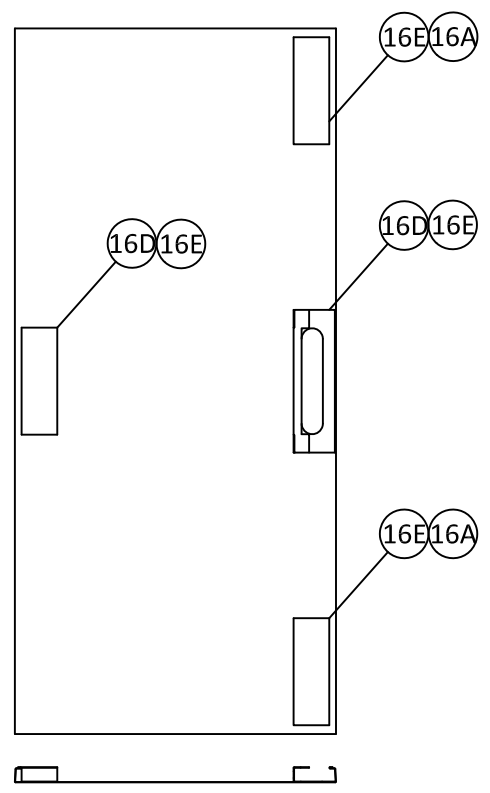
DWG. #: DLF004

SHEET:

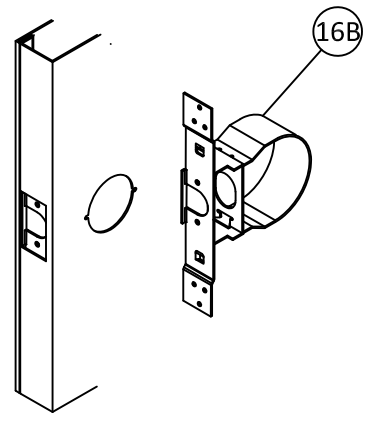
16

OF 18

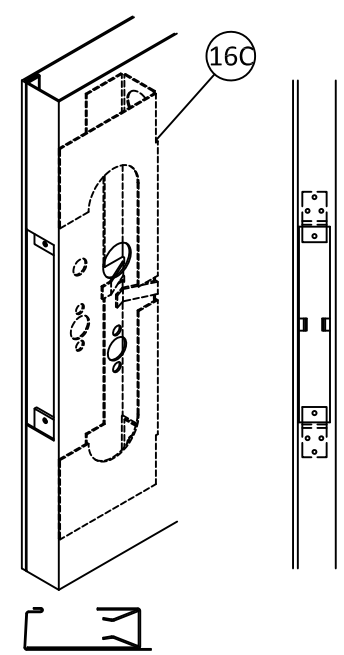
6/21/2024 4:03 PM
 c:\users\dyanwata\building_drops, inc\building_drops_landing - common\projects\de la fontaine\bc-22-0614.1 - fbc submittal - hollow metal swing door is-cs\dwg\outsiding_flush\dlf004.dwg



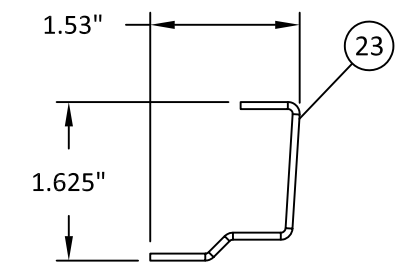
DETAIL OO
RIM EXIT DEVICE AND SURFACE VERTICAL ROD
LOCK REINFORCEMENT



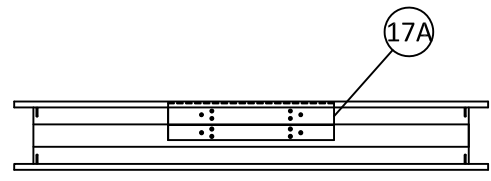
DETAIL PP
CYLINDRICAL LOCK REINFORCEMENT



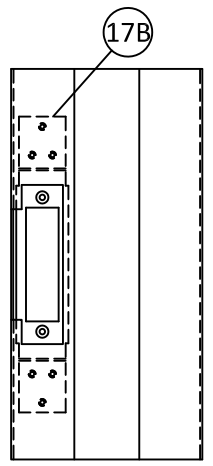
DETAIL QQ
MORTISE LOCK REINFORCEMENT



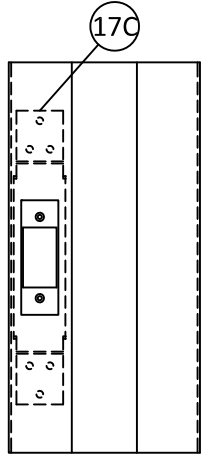
DETAIL RR
LOCK STILE REINFORCEMENT



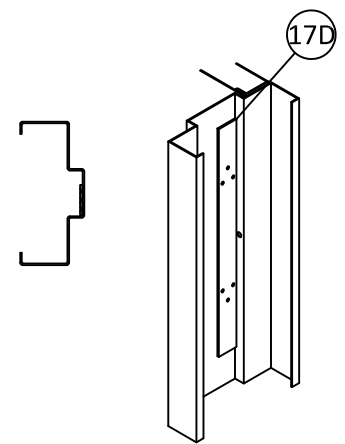
DETAIL SS
SURFACE BOLT
STRIKE REINFORCEMENT



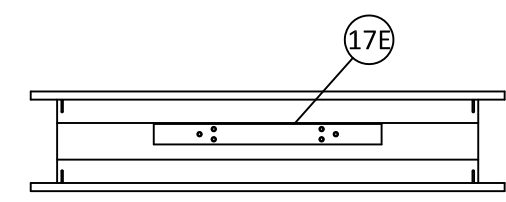
DETAIL TT
CYLINDRICAL LOCK
STRIKE REINFORCEMENT



DETAIL UU
MORTISE LOCK
STRIKE REINFORCEMENT



DETAIL VV
RIM EXIT DEVICE LOCK
STRIKE REINFORCEMENT



DETAIL WW
SURFACE VERTICAL ROD
LOCK STRIKE REINFORCEMENT

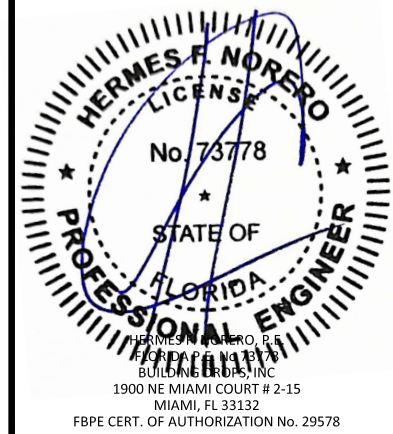
TITLE: OUTSWING DOUBLE & SINGLE
FLUSH STEEL DOOR
(HVHZ) (IMPACT)
REINFORCEMENTS

PREPARED BY:
BUILDING DROPS, INC.
1900 NE MIAMI COURT, STE. 2-15
MIAMI, FL 33132
PH: (954)399-8478
FAX: (954)744-4738
WEB: www.buildingdrops.com



REMARKS	BY	DATE

THE INSTALLATION DETAILS DESCRIBED HEREIN ARE GENERIC AND MAY NOT REFLECT ACTUAL CONDITIONS FOR A SPECIFIC SITE. IF SITE CONDITIONS CAUSE INSTALLATION TO DEVIATE FROM THE REQUIREMENTS DETAILED HEREIN, A LICENSED ENGINEER OR ARCHITECT SHALL PREPARE SITE SPECIFIC DOCUMENTS FOR USE WITH THIS DOCUMENT.



FL46851

DATE: 06.18.24

DWG. BY: DI CHK. BY: HFN

SCALE: NTS

DWG. #: DLF004

SHEET:

17

OF 18

c:\users\dylanwata\building_drops, inc\building_drops landing - common\projects\de la fontaine\fbc-22-0614.1 - fbc submittal - hollow metal swing door (s-cs)\dwg\outswing_flush\dlf004.dwg 6/21/2024 4:03 PM

BILL OF MATERIAL		
NO.	DESCRIPTION	MATERIAL
1	FRAME - 5-3/4" MIN. DEPTH	16 GA. MIN. A40/A60/G90 GALV. STEEL
1A	OPTIONAL 4" HEADER FRAME - 5-3/4" MIN. DEPTH	16 GA. MIN. A40/A60/G90 GALV. STEEL
2	DOOR LEAF PANEL SKIN	18 GA. MIN. A40/A60/G90 GALV. STEEL SHEETS
3	CORE MATERIAL:	
	A) HONEYCOMB	
	B) POLYSTYRENE	
	C) POLYURETHANE	
	D) STEEL STIFFENED (POLYSTYRENE OR POLYURETHANE)	
4	LOCKING HARDWARE - SEE SHEET 1	
5	SURFACE BOLT - IVES 360 OR SARGENT 998	STEEL
6	4.5" MIN. BUTT HINGES SEE SHEET 1 NOTE 1.6	0.134" MIN. STEEL/BRASS
	OPTIONAL CONTINUOUS HINGE SEE SHEET 1 NOTE 1.6	ALUMINUM
7	DOOR HINGE REINFORCEMENTS	7 GA. STEEL
8	FRAME HINGE REINFORCEMENT	3/16" X 10" - 7 GA. STEEL
9	JAMB ANCHORS SEE SHEET 10 & 11	
	Z	18 GA. MIN. STEEL
	COMBINATION WOOD/STEEL STUD	
	EXISTING WALL ANCHOR (EWA)	16 GA. MIN. STEEL
	EXISTING WALL ANCHOR (EWA) - TUBE	
	MASONRY WIRE	-
MASONRY T	-	
	ADJUSTABLE/WELDED JAMB BASE	12 GA. STEEL
10	NGP 950N THRESHOLD WITH BUMPER GASKET	1/16" MIN. ALUMINUM
11	WEATHERSTRIPPING	
	A) NGP 16A RAIN DRIP	6063-T5 ALUMINUM
	B) NGP 331 DOOR SHOE	6063-T5 ALUMINUM / PPE / TPV
	C) NGP 200NA DOOR SWEEP	6063-T5 ALUMINUM / EPDM RUBBER / PPE
	D) NGP 137NA PERIMETER SEAL	
E) NGP 5050 BULB SEAL	SILOXANE	
12	CAULK	SILICONE OR BUTYL RUBBER
13	ST END CHANNEL	16 GA. STEEL
14	FWC END CHANNEL	16 GA. STEEL
15	HORIZONTAL REIN. CHANNELS	STEEL
16	DOOR LOCK REINFORCEMENT SEE SHEET 17	
	A) SURFACE BOLT REINFORCEMENT	16 GA. MIN. STEEL
	B) CYLINDRICAL LOCK REINFORCEMENT	16 GA. MIN. STEEL
	C) MORTISE LOCK REINFORCEMENT	16 GA. MIN. STEEL
	D) RIM EXIT DEVICE REINFORCEMENT	16 GA. MIN. STEEL
E) SURFACE VERTICAL RODS REINFORCEMENT	16 GA. MIN. STEEL	
17	FRAME LOCK STRIKE REINFORCEMENT SEE SHEET 17	
	A) SURFACE BOLT STRIKE REINFORCEMENT	16 GA. MIN. STEEL
	B) CYLINDRICAL STRIKE REINFORCEMENT	16 GA. MIN. STEEL
	C) MORTISE STRIKE REINFORCEMENT	16 GA. MIN. STEEL
	D) RIM EXIT STRIKE REINFORCEMENT	16 GA. MIN. STEEL
E) SURFACE VERTICAL ROD STRIKE REINFORCEMENT	16 GA. MIN. STEEL	
18	FLAT ASTRAGAL	STEEL
	Z ASTRAGAL	STEEL
22	VON DUPRIN HH9954 MULLION	-
	CORBIN RUSSWIN FE707A MULLION	-
23	LOCK STILE REINFORCEMENT	STEEL
24	IVES 698/U698 DOOR VIEWER	BRASS



4115 BRODEUR STREET
SHERBROOKE, QC J1L1K4
PH: (819) 821-9230 FX: (819) 569-5928

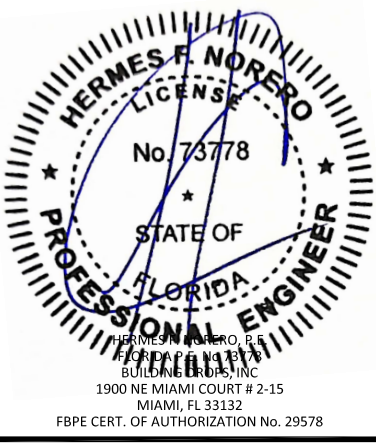
TITLE: OUTSWING DOUBLE & SINGLE
FLUSH STEEL DOOR
(HVHZ) (IMPACT)
BILL OF MATERIAL

PREPARED BY:
BUILDING DROPS, INC.
1900 NE MIAMI COURT, STE. 2-15
MIAMI, FL 33132
PH: (954) 359-8478
FAX: (954) 744-4738
WEB: www.buildingdrops.com



REMARKS	BY	DATE

THE INSTALLATION DETAILS DESCRIBED HEREIN ARE GENERIC AND MAY NOT REFLECT ACTUAL CONDITIONS FOR A SPECIFIC SITE. IF SITE CONDITIONS CAUSE INSTALLATION TO DEVIATE FROM THE REQUIREMENTS DETAILED HEREIN, A LICENSED ENGINEER OR ARCHITECT SHALL PREPARE SITE SPECIFIC DOCUMENTS FOR USE WITH THIS DOCUMENT.



FL46851

DATE: **06.18.24**
DWG. BY: **DI** CHK. BY: **HFN**
SCALE: **NTS**
DWG. #: **DLF004**

SHEET:
18
OF 18